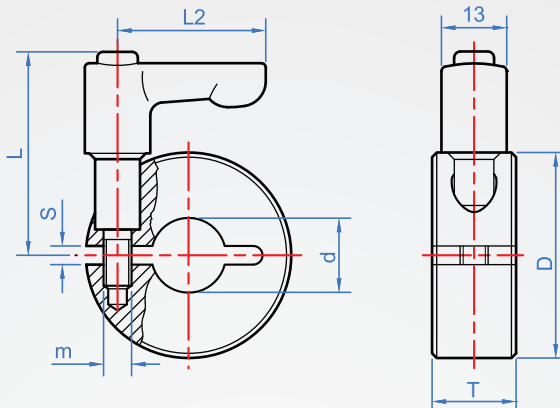


With Slit & Hold  
**SC472**



Material	Finish	Adjustable handle
S45C	Black oxide	Zinc die casting (Black coated)
SUS303	—	SUS fixing screw

How to order

SC472 - 15 - 36 - 13 -

TYPE    d    D    T

Material chosen

S45C.....

SUS303..... SUS

<b>1</b>	<b>2</b>	<b>3</b>					Unit : mm
d H10	D	T±0.2 Thickness	m Screw thread	S	L Handle center height	L2 Handle width	X ≒ Protruding screw head
14	32	11	M4	2.1	37	30	0.7
15 、 16	36	13	M5		38.5		1.4
18 、 20	42	15		M5	3	41	45
22 、 25	48		43			0	
28 、 30	55		M6	4	45	0.5	
32 、 35	60				46.5	0.4	
40	65				47.5		0.5

※ About D parts size 20~36 , m is through hole ; Above 42 size is threaded blind hole.

※ Recommendation shaft tolerance h11 、 g6 °