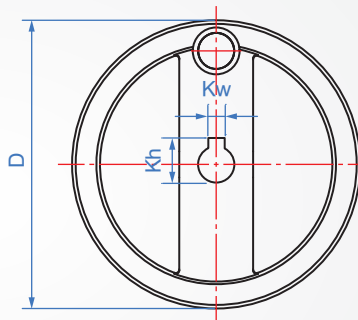
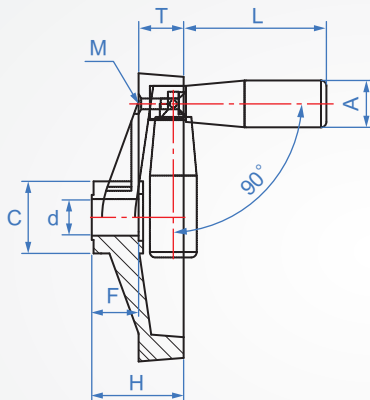


Double-width handwheel

## VI964

Fold



Ontology		Rotary handle	
Material	Color	Material	Color
MC nylon	Black	Bakelite	Black
AL aluminum			

How to order

1    2  
 VI964 - MC - 100  
 TYPE    No.    D

No.	D	d	Kw	Kh	C	F	H	T	Fixed handle(HK936)		
									A	L	M
MC	100	12	4	13.8	25	18	38	20	22	50	M5
	125				30						
AL	160	16	5	18.3	40	21	50	25	26	80	M6
	200	18	6	20.8	50	35	63	30			

unit : mm