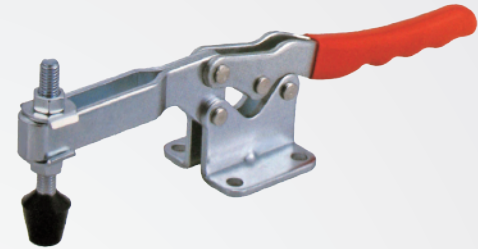
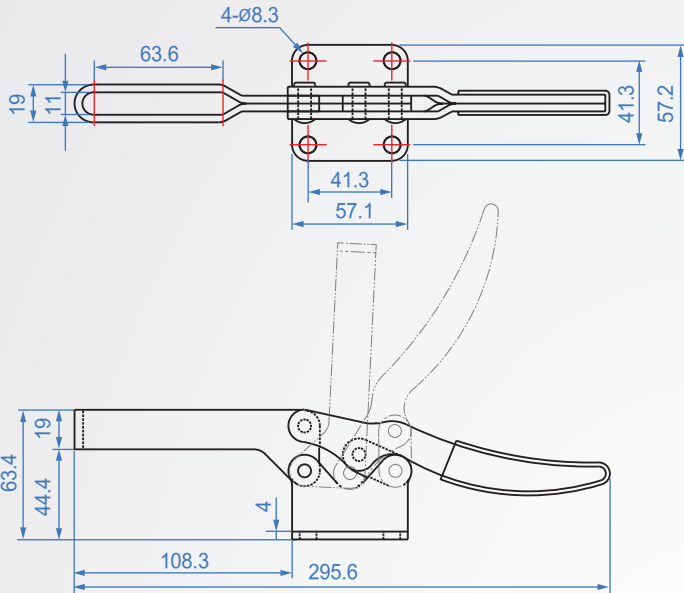


## GH20235



### GH20235

Material : SS400 Finish : Zinc plated

### GH20235-SS

材質 : SUS304

Unit : mm

Code No.	Clamping force(kg)	weight (g)	Hadle moving	Chuck moving	Front-end accessories
GH20235	340	610	68°	90°	FC-38312
GH20235-SS	340	610	68°	90°	-