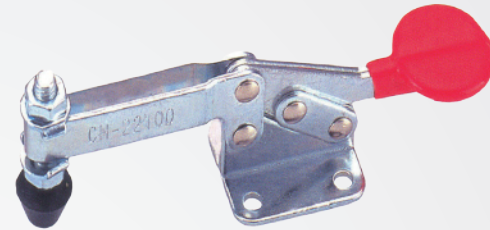
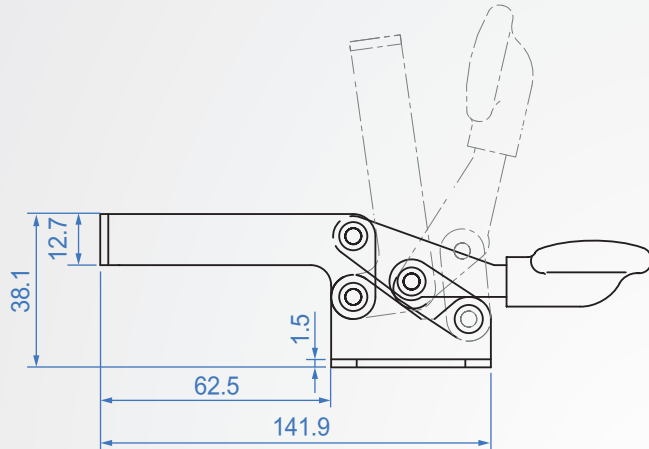
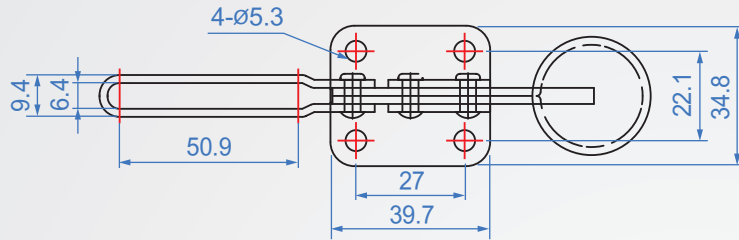


GH22100



GH22100

Material : SS400 Finish : Zinc plated

unit : mm

Code No.	Clamping pressure (kg)	weight (g)	Handle movement	Chuck movement	Front end fitting
GH22100	68	114	70°	83°	FC-14134