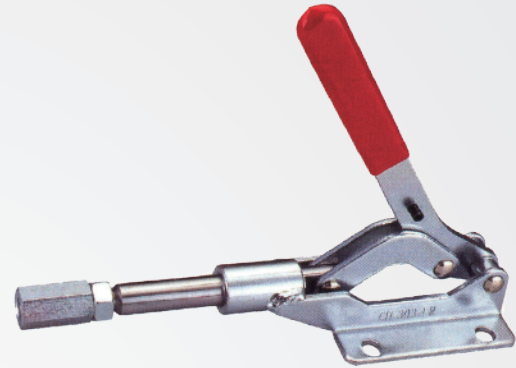
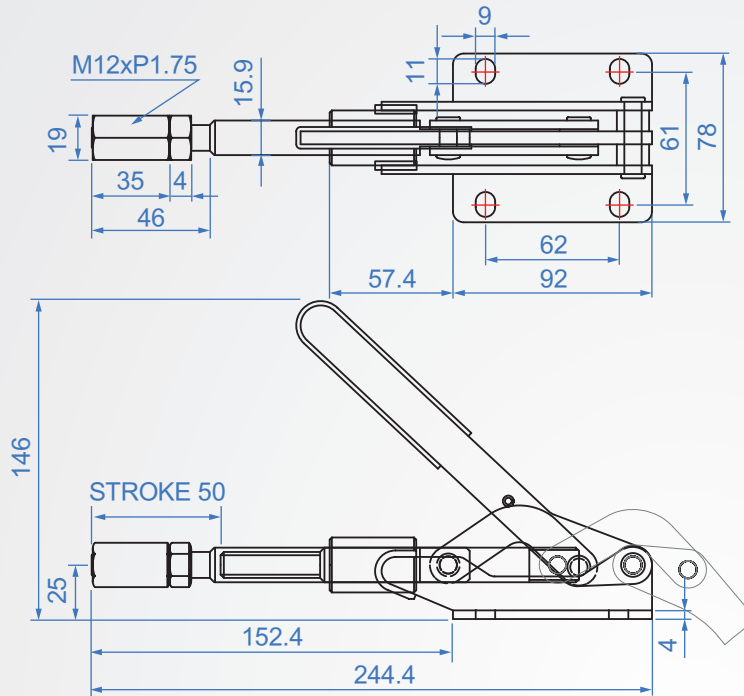


GH303-EM



GH303-EM

Material : SS400 Finish : Zinc plated

GH303EK

Designed for non-rotation of the axis

Unit : mm

Code No.	Clamping force(kg)	weight (g)	Hadle moving	Chuck moving
GH303-EM	454	948	190°	50
GH303-EK	454	948	190°	50