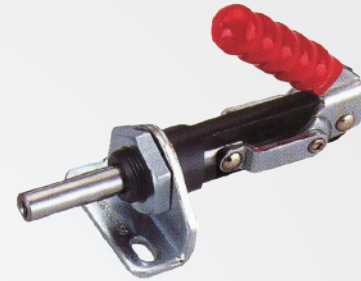
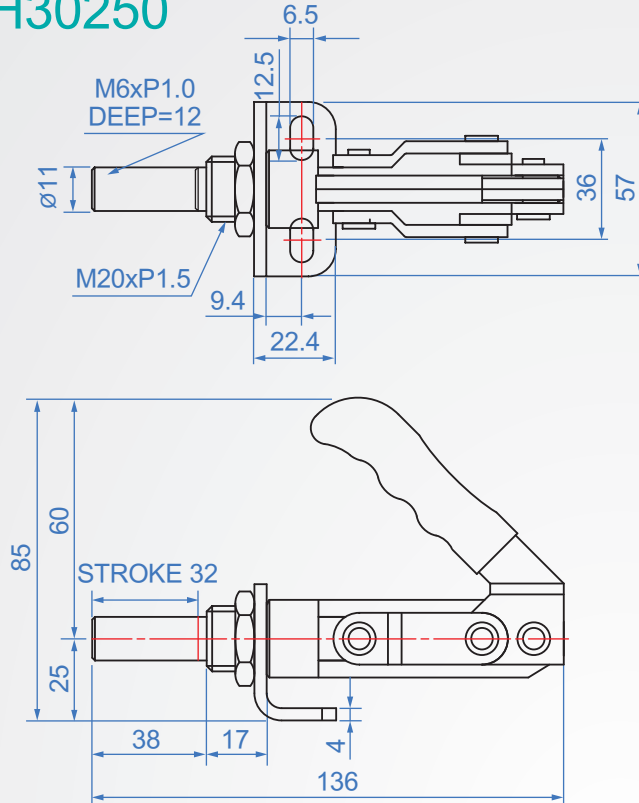


GH30250



GH30250

Material : SS400 Finish : Zinc plated

Unit : mm

| Code No. | Clamping force(kg) | weight (g) | Hadle moving | Chuck moving | Front-end accessories |
|----------|--------------------|------------|--------------|--------------|-----------------------|
| GH30250 | 250 | 384 | 190° | 32 | NSA-062010 |