

Plastic knurled knob

HA974

Female thread

SUS thread

Brass thread



Grip

Thread

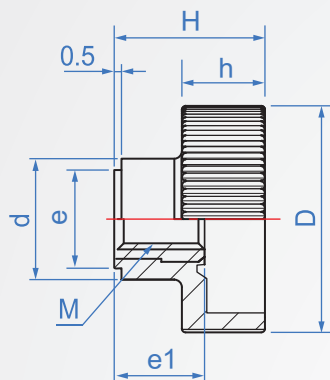
Black resin

Brass

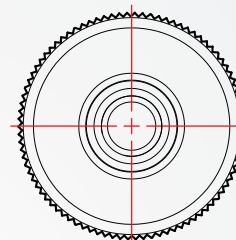
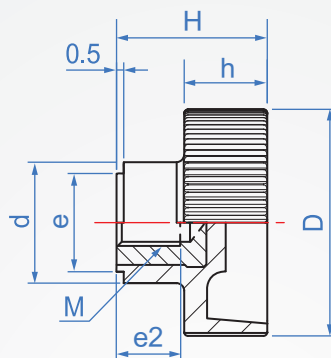
SUS303

※Blind hole only have brass material.

Through hole



Blind hole



How to order

HA974 - M4 -

TYPE M

Material chosen

Through hole-Brass..... BlankThrough hole-SUS303..... SUSBlind hole-Brass..... BH

1

Unit : mm

M	Pitch	D	d	H	h	e	e1 Through type	e2 Blind hole depth	weight (g)
M4	0.7	20	12	13.5	8	8	10	7	2
M5	0.8							8	
M6	1	25	15	19.5	9	10	13	12	3
M8	1.25	30	18	21.5	11	12	14		
M10	1.5	35	21	29	13	16	15	18	10

Che Na

FAX 886-2688-3177

info@chena.com.tw

886-22688-3188
886-2688-3881~3No.21, Guangrong St. Shulin Dist.,
New Taipei City 238 Taiwan (R.O.C.)