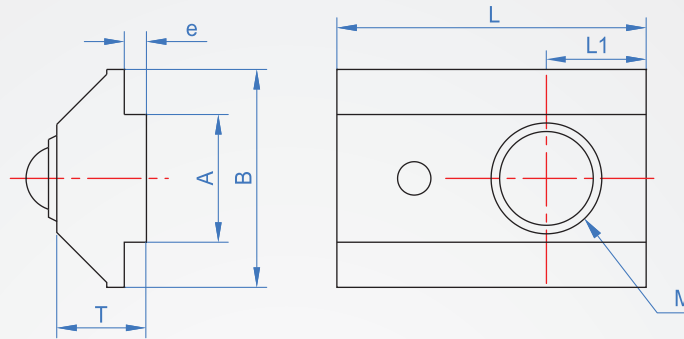


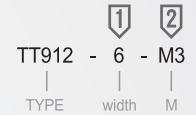
Nut with ball-Install before

TT912

Material	Finish
S10C quite	Trivalent chromium



How to order



Groove width	M Coarse thread	Dimensions						No. (Aluminum extrusion series)
		A	B	e	L	L1	T	
6	M3、M4、M5	5.8	10	0.8	14	4.5	4.1	20
8	M3、M4、M5、M6	7.8	15	0.8	16	5	6.3	30
10	M4、M5、M6、M8	9.8	17	3	18	6	9.0	40、45

Unit : mm

Copyright © CHENA INDUSTRIAL CO.,LTD ALL Rights Reserved.