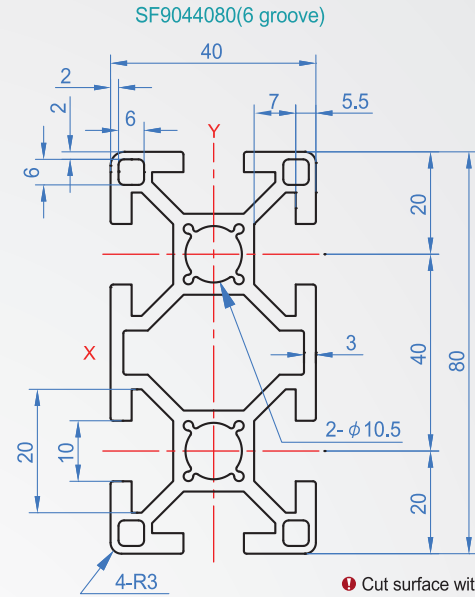
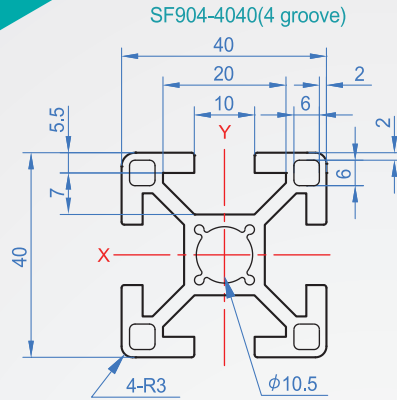


Aluminum extrusion

## SF904

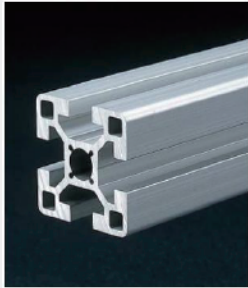
40 series



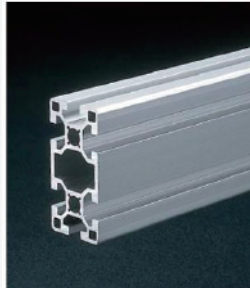
① Cut surface without anodizing

Mainly used in light-load structure, precision instruments framework, display cases, etc.

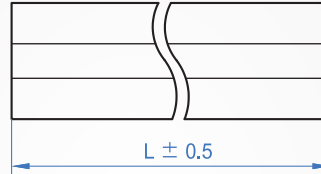
4040 4 groove



4080 6 groove

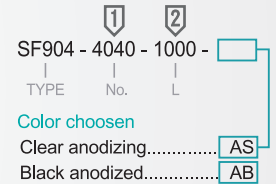


※Designation length



Material	Finish
Aluminum alloy A6N01SS-T5	Clear anodizing
	Black anodized

### How to order



No.	L Designated units 1mm	Quality kg/m	Section secondary torque mm <sup>4</sup>		Section modulus mm <sup>3</sup>	
			Ix	Iy	Zx	Zy
4040	50~4000	1.74	10.48x10 <sup>4</sup>	10.48x10 <sup>4</sup>	5.24x10 <sup>3</sup>	5.24x10 <sup>3</sup>
4080	50~4000	3.01	72.30x10 <sup>4</sup>	19.92x10 <sup>4</sup>	18.07x10 <sup>3</sup>	9.96x10 <sup>3</sup>

Unit : mm