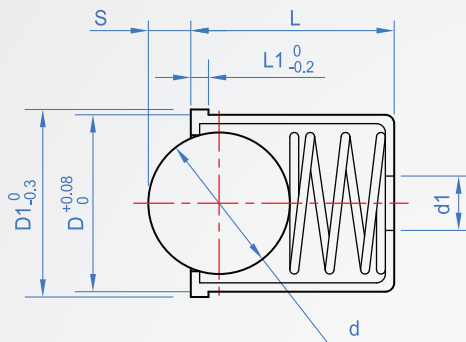


Press-in Type
BB608

Main part	Ball		Operating temperature
	Material	Hardness	
SUS303	SUS440C	55HRC~	-30°C~120°C
Engineering plastics (POM)	Engineering plastics (POM)	—	-30°C~80°C

Spring : SUS631JI



How to order

BB608 - 4 -

TYPE D

Material chosen

All SUS.....

POM body SUS ball...

All POM.....

D	D1	L	L1	S	d	d1	Load (N)			
							Main part SUS		Main part POM	
							min.	max.	min.	max.
4	4.6	5	1	0.8	3	1.5	0.65	5.6	1.3	6.4
5	5.6	6	1	1.0	4	2	2.8	6.3	2.7	8.0
6	6.6	7	1	1.6	5	2.5	2.95	9.6	1.15	10.2
8	8.6	9	1	1.9	6.35	3	6.5	11.7	6.15	17.2
10	10.6	11.5	1	2.4	8	3	9.0	15.0	2.1	18.8

※ Mounting holes recommend dimensions D +0.13 to prevent falling, please use with adhesive.
+0.08

kgf=N×0.101972