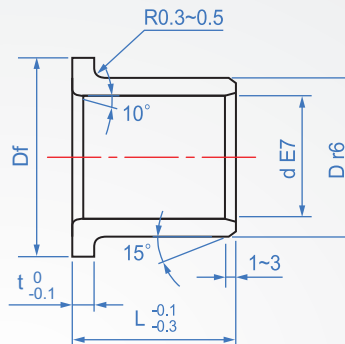
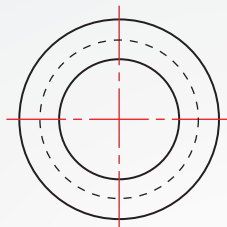


Flange type  
**BC252** Copper alloy



| Material     | Heat resistant temperature |
|--------------|----------------------------|
| Copper alloy | -50~200°C                  |

How to order



| unit : mm |                  |    |                  |    |    |    |    |    |    |    |                        |         |             |
|-----------|------------------|----|------------------|----|----|----|----|----|----|----|------------------------|---------|-------------|
| 1         |                  | 2  |                  | 3  |    |    |    |    |    |    |                        |         |             |
| d         | E7 tol.          | D  | r6 tol.          | L  |    |    |    |    | Df | t  | Corresponding aperture | H7 tol. |             |
| 5         | +0.032           | 9  | +0.028           | 10 | 12 |    |    |    |    | 14 | 2                      | 9       | +0.015      |
| 6         | +0.020           | 10 | +0.019           | 10 | 12 | 15 | 20 |    |    | 16 |                        | 10      | 0           |
| 8         | +0.040           | 12 | +0.034<br>+0.023 | 10 | 12 | 15 | 20 | 25 |    | 20 | 3                      | 12      | +0.018<br>0 |
| 10        | +0.025           | 14 |                  | 10 | 12 | 15 | 20 | 25 | 30 | 22 |                        | 14      |             |
| 12        | +0.050<br>+0.032 | 18 | +0.041<br>+0.028 | 10 | 12 | 15 | 20 | 25 | 30 | 25 | 5                      | 18      | +0.021<br>0 |
| 13        |                  | 19 |                  | 12 | 15 | 20 |    |    | 26 | 19 |                        |         |             |
| 15        |                  | 21 |                  | 10 | 12 | 15 | 20 | 25 |    | 28 | 21                     |         |             |
| 16        |                  | 22 |                  |    | 12 | 15 | 20 | 25 | 30 | 29 | 22                     |         |             |
| 20        | +0.061<br>+0.040 | 30 | +0.050<br>+0.034 |    |    | 15 | 20 | 25 | 30 | 40 | 40                     | 30      |             |
| 25        |                  | 35 |                  |    |    |    |    | 30 | 40 | 50 | 45                     | 35      | +0.025      |
| 30        |                  | 40 |                  |    |    |    |    |    | 30 | 40 | 50                     | 50      | 40          |

Copyright © CHENA INDUSTRIAL CO., LTD ALL RIGHTS RESERVED.