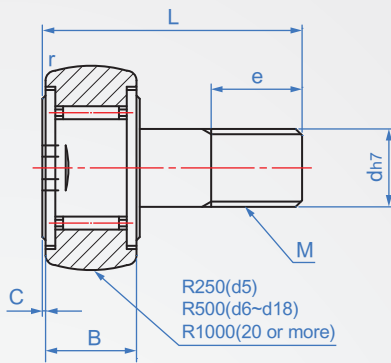
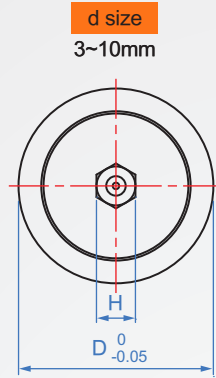


## Flange side hexagon RN519-R Spherical type



Material	Operating temperature
SUJ2	Below 80 ° C
SUS440C	

※Full range of sealed

### How to order

1 2

RN519-R - 5 - 13 -

TYPE d Flang OD

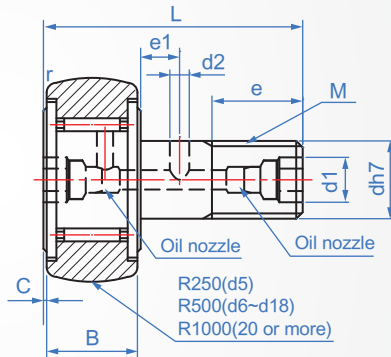
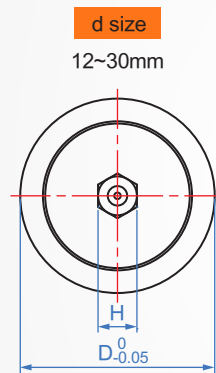
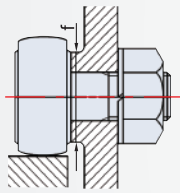
Material chosen

SUJ2.....  Blank

Quite SUS440C.....  SUS

Unit: mm																					
d	h7	D	M x Pitch	B	C	L	e	H	r	Mounting min. f	Max. allowable load k N	Track load capacity K N	Basic rated load		The max. number of rotations rPm	weight (g)					
													C	Cor							
3	+0 -0.010	10	M3 x 0.5	7	0.5	17	5	2(1.5)	0.3	6.8	0.36	0.37	1.47	1.18	32900	4.5					
4	+0 -0.012	12	M4 x 0.7	8		20	6	2.5(2)	0.5				8.6	0.78			0.47	2.06	2.05	25900	7.5
5		13	M5 x 0.8	9		23	7.5	3(2.5)					9.7	1.42			0.53	3.14	2.77		
6	+0 -0.012	16	M6 x 1.0	11	0.6	28	9	3	0.5	11	2.11	1.08	3.59	3.58	17500	18.5					
8		19	M8 x 1.25			32	11						13	4.73			1.37	4.17	4.65	14000	28.5
10	+0 -0.015	22	M10 x 1.25	12		36	13	5					1	15			5.81	1.67	5.33		
		26											2.06								60

### Spherical installation example



Unit: mm																			
d	h7	D	M x Pitch	B	C	L	d1	d2	e	e1	H	r	Mounting min. f	Max. allowable load k N	Track load capacity K N	Basic rated load		The max. number of rotations rPm	weight (g)
																C	Cor		
12	+0 -0.018	30	M12 x 1.5	14	0.6	40	6	3	14	6	6	1.5	20	9.37	2.45	7.87	9.79	9800	95
		32														2.74			105
16	+0 -0.018	35	M16 x 1.5	18	0.8	52	8	8	18	8	6	1.5	24	17.3	3.14	12	18.3	7000	170
18		40														M18 x 1.5	20		58
20	+0 -0.021	52	M20 x 1.5	24	0.8	66	8	4	22	9	8	1.5	36	32.1	8.23	20.7	34.8	4900	460
		47														7.15			385
24	+0 -0.021	62	M24 x 1.5	29	1.0	80	8	4	25	11	8	1.5	40	49.5	10.5	30.6	53.2	4550	815
		72														12.9			1140
30	+0 -0.021	80	M30 x 1.5	35	1.0	100	8	4	32	15	8	1.5	46	73.7	14.9	45.4	87.6	350010.5	1870
		85														16.1			2030
		90														17.3			2220

### The notices during installation

- ◆ To ensure uniform contact with the outer ring and the mating surface of the cam follower when properly installed actuator must ensure that it is perpendicular to the row direction of the shaft wheel.
- ◆ Mounting parts  
Mounting hole chamfering recommendation C0.5  
And the diameter of the mounting surface requires a minimum equal to (f) sizes indicated in the table.

Others : (1) Sealless type can provide 7000 ~ 47000/minute high number of rotations;  
(2) Heavy load filled with full roller type d part diameter : 6~30mm  
Max. load 8.5 - 145(KN)