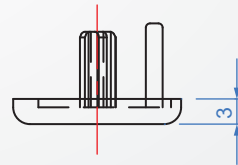
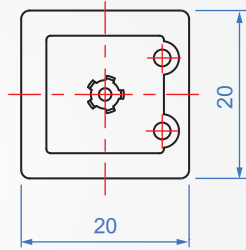
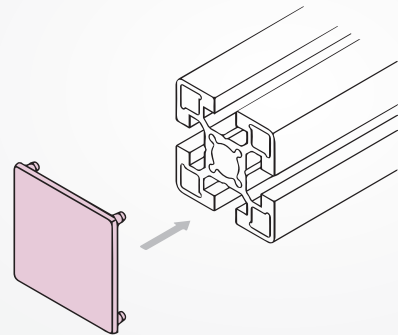
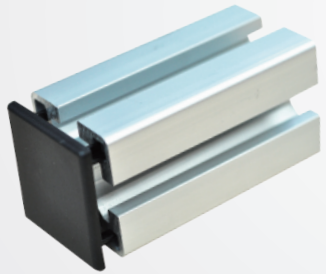


Aluminum end cap
SF902-2
 20 series

Material	Color
Polyamine (PA)	Black
	Silver



How to order

SF902-2 -
 TYPE

Choose the color

Silver..... SR

Black..... BK