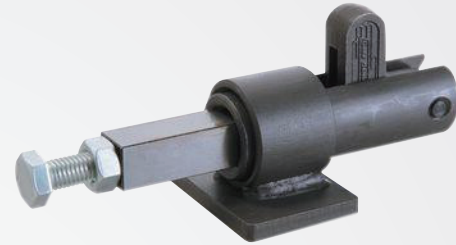
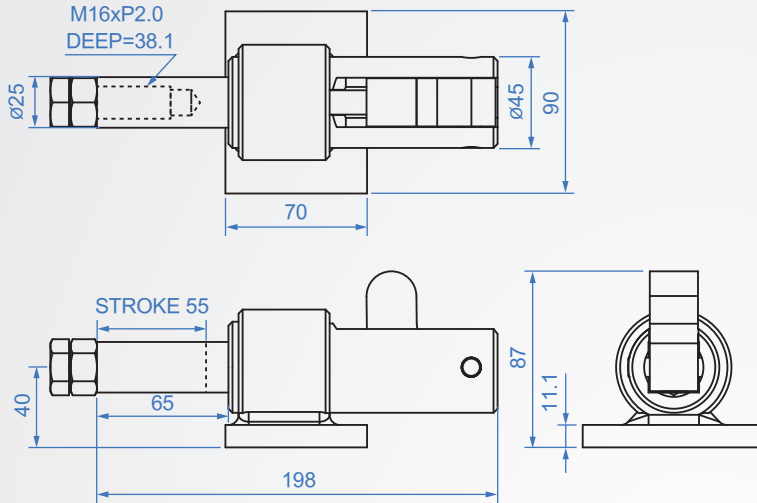


GH30609-M



GH30609-M

Material : SS400 Finish : Zinc plated

Unit : mm

Code No.	Clamping force(kg)	weight (g)	Hadle moving	Chuck moving	Front-end accessories
GH30609-M	2273	2937	88°	55	NSA-165020