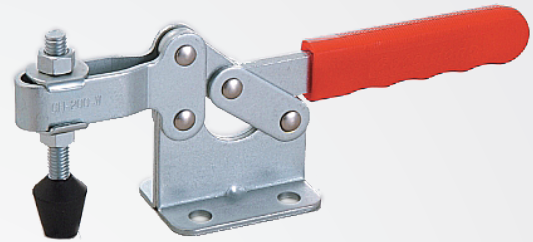
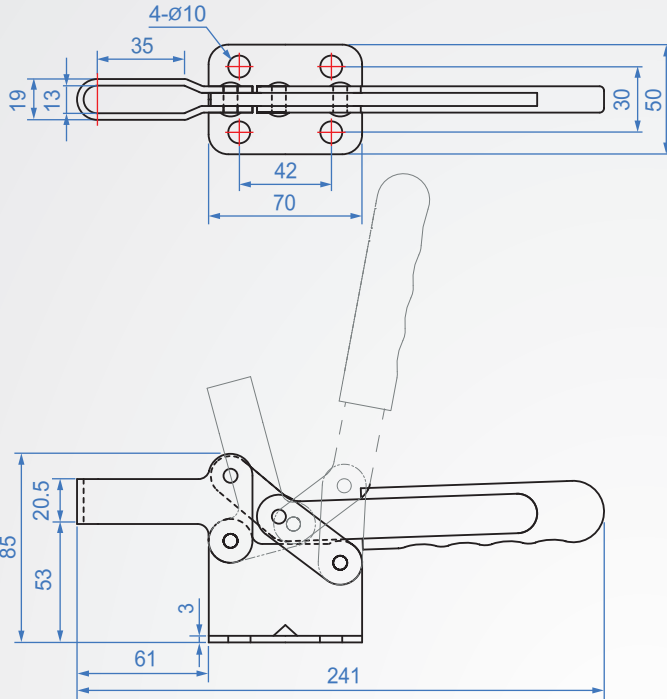


## GH200-W



### GH200-W

Material : SS400 Finish : Zinc plated

Unit : mm

Code No.	Clamping force(kg)	weight (g)	Hadle moving	Chuck moving	Front-end accessories
GH200-W	400	569	90°	84°	NFC-38312

1N=0.102kgf