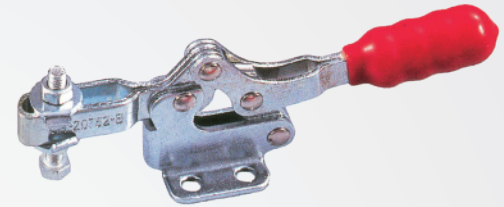
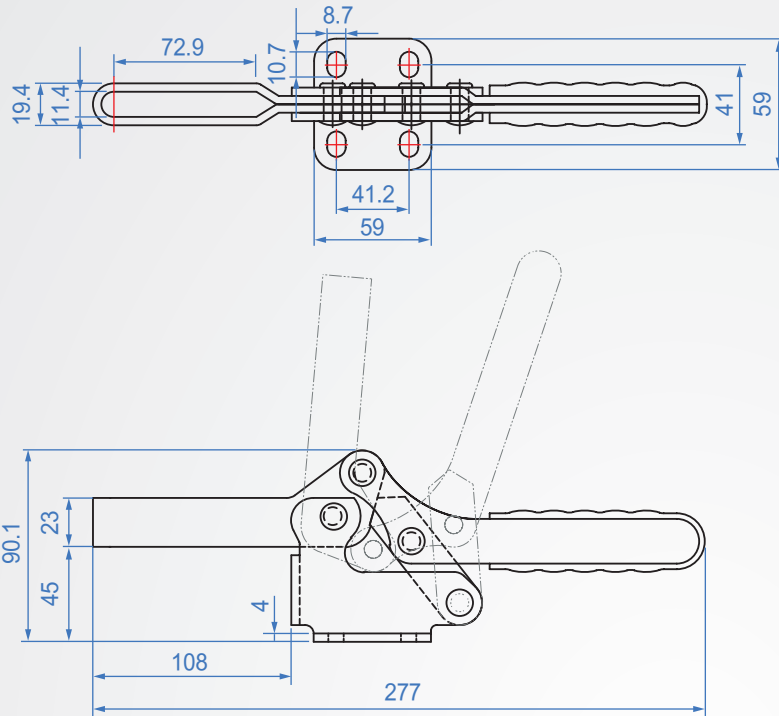


GH23502-B



GH23502B

Material : SS400 Finish : Zinc plated

Unit : mm

Code No.	Clamping force(kg)	weight (g)	Hadle moving	Chuck moving	Front-end accessories
GH23502-B	350	955	72°	90°	NSA-107515