

Taiwan patents

Main part	Metal part	Finish
NR rubber	Steel-SS41	Multicolored plating

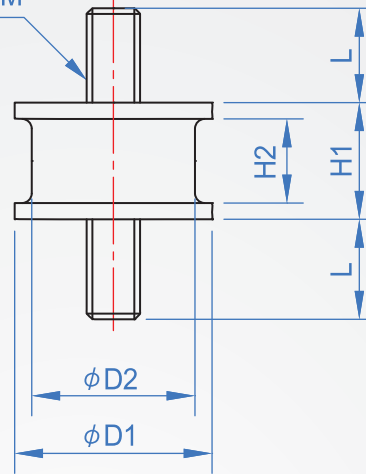
Shockproof rubber

## VB990

Two-side threaded bolt



Thread bolt 2-M



How to order

1  
VB990 - 2015  
TYPE No.



Unit : mm

No.	D1	D2	H1	H2	t	Thread bolt			Z direction			X direction		
						M	Pitch	L	Load kgf	Use load kgf	Static elastic modulus kgf/mm	Load kgf	Rigidity ratio kx / kz	
2015	20	15	15	7	4	M6	1	20	20	5~10	9±0.15	3.5	0.17	
2522	25	20	22	14					35	10~20	15±0.15	6		
3018	30	25	18	10					M8	1.25	25	70	20~35	25±0.15
3526	35	30	26	16	5	20±0.15	12	0.17						
4022	40	34	22	10	6	35	120	30~60				40±0.15	18	0.15
4534	45	38	34	26	4							45±0.15	20	0.17
5026	50	42	26	16	5	M10	1.5	40	175	50~90	25±0.19	28	0.16	

Copyright © CHENA INDUSTRIAL CO.,LTD ALL RIGHTS RESERVED.

**Che Na**

886-2688-3177

info@chena.com.tw

886-22688-3188  
886-2688-3881~3

No.21, Guangrong St. Shulin Dist.,  
New Taipei City 238 Taiwan (R.O.C.)