

Triangular connection block

SF902-1 20 series

It applies only to 20 series of aluminum extrusion frame

Material	Finish
Aluminum alloy	—
	Black anodized



How to order

SF902-1 - -

TYPE

Process choosen

Standard.....

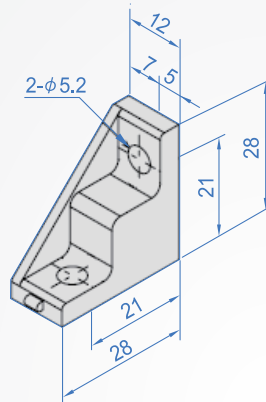
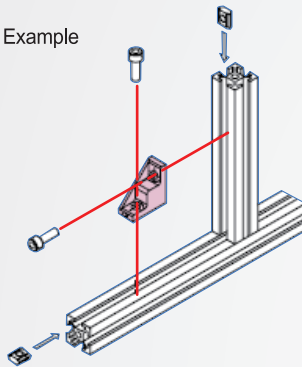
Through hole.....

Finish choosen

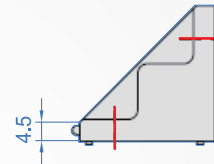
No processing.....

Black anodized.....

Example



Standard



Processing(Sealing plate with holes)

