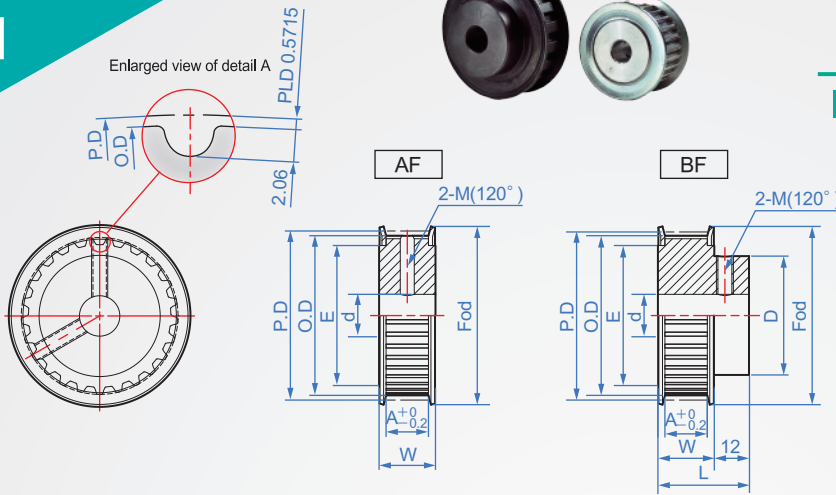


Pitch : 5.0mm

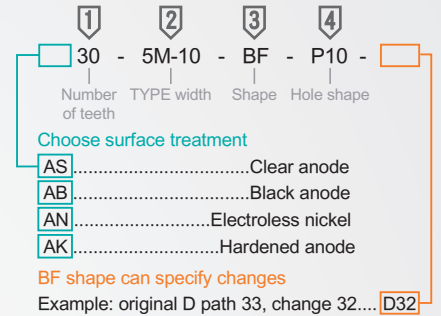
5M



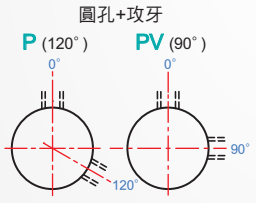
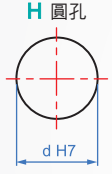
Width code	10	15	20	25
Common size	A=11 W=16 L=28	A=17 W=22 L=34	A=22 W=27 L=39	A=27 W=32 L=44

Material : Aluminum A6061+ anodized.
Please contact us if you need iron material.

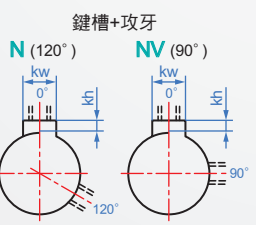
How to order



unit:mm										
Number of teeth	TYPE width	Shape	Hole shape	Shaft hole d Processing mini.	P.D	O.D	Number of teeth	D	E	Fod
14					22.28	21.14	14	14	16	26
15					23.87	22.73	15	15	18	28
16					25.46	24.32	16	17	20	
17					27.06	25.91	17	16		32
18					28.65	27.50	18		22.5	
19					30.24	29.10	19	19	24	35
20					31.83	30.69	20			
21					33.42	32.28	21	22	26	36
22					35.01	33.87	22	24	28	40
23					36.61	35.46	23		30	42
24					38.20	37.05	24			
25					39.79	38.65	25	27		45
26					41.38	40.24	26	31	34	47
27					42.97	41.83	27			
28					44.56	43.42	28	32	37	49
29					46.15	45.01	29			
30					47.75	46.60	30	33	40	52
31	5M-10				49.34	48.20	31			
32					50.93	49.79	32		40	55
33					52.52	51.38	33	37		58
34	5M-15	AF			54.11	52.97	34		44	62
35					55.70	54.56	35			
36	5M-20	BF			57.30	56.15	36	40	45	65
37					58.89	57.74	37			
38					60.48	59.34	38			
39	5M-25				62.07	60.93	39	47	52.5	67.5
40					63.66	62.52	40			
41					65.25	64.11	41		58	71
42					66.85	65.70	42	48		
43					68.44	67.29	43		59	73
44					70.03	68.89	44	50		
45					71.62	70.48	45		60	80
46					73.21	72.07	46	55		
47					74.80	73.66	47		65	83
48					76.39	75.25	48	60		
49					77.99	76.84	49		65	85
50					79.58	78.43	50	63		
60					95.49	94.35	60	75	80	100
70					111.41	110.27	70	80		
72					114.59	113.45	72		98	118
80					127.32	126.18	80	90		135
90					143.24	142.10	90		110	146
100					159.15	158.01	100	100	120	165
									130	



軸孔徑	攻牙
4~5	M3
6~12	M4
13~17	M5
18~30	M6
31~44	M8



軸孔徑	kw(Js9)	kh	攻牙
8~10	3	1.4	M4
NK10	4	1.8	
11~12	4	1.8	
13~17	5	2.3	M5
18~22	6	2.8	M6
23~30	8	3.3	

Copyright © CHENA INDUSTRIAL CO.,LTD ALL Rights Reserved.