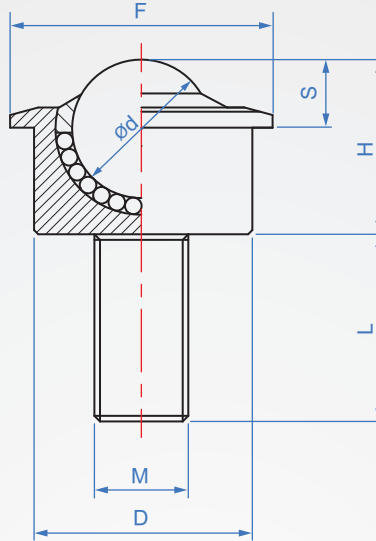


Flange

## SP830-B Bolt



Ontology	Surface treatment	Main bead
S45C	chrome	SUJ2

※All stainless steel SUS304 can be customized.

How to order



unit:mm

No.	d	D	F	S	H	M	L	Basic load (kg)	Allowable load (kg)	Weight(g)
8	8	15	20	4.3	11.1	M5	12	8	15	20
15	15.9	24	31	10	21	M8	18	40	45	85
22	22.2	36	45	9.8	31	M10	22	140	160	250
30	30.2	45	55	13.8	36.5	M16	39	200	250	410
45	45	62	75	19	54	M20	45	400	450	1150