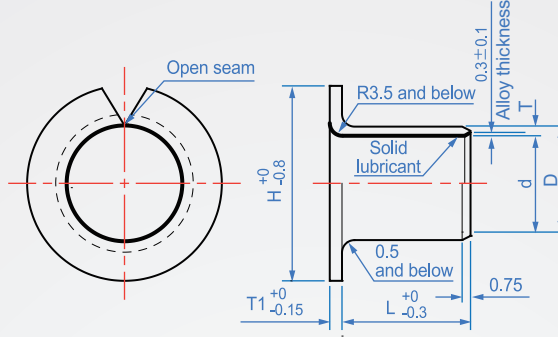


Flang JZ254

Composite material



Material	Heat resistance
Teflon-Lead Impregnation +Sintered bronz (Metal iron tinning)	-200°C~+280°C

How to order

JZ254 - 1 - 2
 TYPE d L

Unit : mm

1		2																Recommended correspondence size		
d	L	H										D	Tolerance value	T	Tolerance value	Mounting holes H7		Shaft diameter		
3	3	5										7	4.6	+0.047 +0.017	0.8		4.6	+0.012 -0	3	
4		4										9	5.6			5.6		4		
5		4	5									10	7			7		5	-0.025	
6			5	6	8							12	8	+0.055 +0.025		8	+0.015 -0	6	-0.037	
8				6	8	10						15	10			10		8		
10				6	8	10	12	15				18	12	+0.060 +0.030	1.0	+0 -0.025	12		10	
12				6	8	10	12	15				20	14			14		12		
14						10	12	15				22	16	+0.063 +0.033		16	+0.018 -0	14	-0.025	
15						10	12	15	20			23	17	+0.073 +0.038		17		15	-0.043	
16						10		15	20			24	18			18		16		
18						10	12	15	20			26	20	+0.081 +0.046		20		18		
20						10	12	15	20	25		31	23		1.5	+0 -0.030	23	+0.021 -0	20	
22						10	12	15	20			33	25	+0.086 +0.051		25		22	-0.025 -0.046	
25						10	12	15	20	25	30	36	28	+0.093 +0.056		28		25		