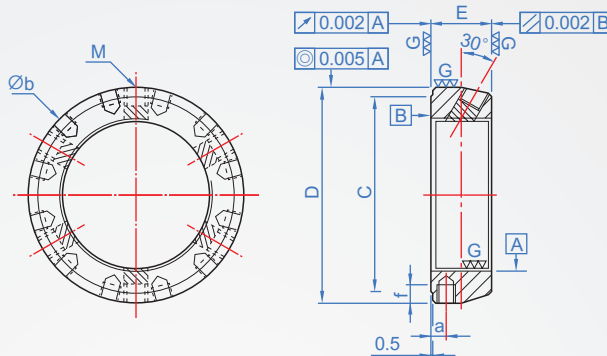


Precision Lock Nuts

SBL-C

Superfine Balanced Locknuts



How to order

1 2
 SBL-C - M20 - 1.5
 TYPE M Pitch

Unit : mm

Tread	Pitch	D	C	E	a	Ø b	f	M	max. Nm	Loosening torque Nm
M20	1	38	33	16	4	6 - M5	5	3-M5x0.8	4.5	28.9
M20	1.5							3-M5x0.8		
M25	1.5	45	40	18	4.5	9 - M5	4	3-M6x1.0	8	30.4
M30	1.5							3-M6x1.0		
M35	1.5	52	47	20	5	9 - M6	5	3-M8x1.25	18	32.4
M40	1.5							3-M8x1.25		
M45	1.5	65	59	22	5.5	12 - M6	6	3-M8x1.25	18	39.2
M50	1.5							3-M8x1.25		
M55	2	75	68	24	6	12 - M6	6	3-M8x1.25	18	46.1
M60	2							3-M8x1.25		
M65	2	85	78	26	6.5	12 - M6	6	3-M8x1.25	18	61.8
M70	2							3-M8x1.25		
M75	2	92	84	28	7	12 - M8	7	6-M8x1.25	35	70.6
M80	2							6-M8x1.25		
M85	2	110	102	30	7.5	12 - M8	8	6-M8x1.25	35	88.2
M90	2							6-M8x1.25		
M95	2	125	113	32	8	12 - M8	9	6-M8x1.25	35	98
M100	2							6-M8x1.25		
M105	2	140	125	32	8	12 - M8	9	6-M10x1.5	35	127.5
M110	2							6-M10x1.5		
M115	2	155	137	32	8	12 - M8	11	6-M10x1.5	35	147.1
M120	2							6-M10x1.5		
M125	2	160	147	32	8	12 - M8	11	6-M10x1.5	35	152
M130	2							6-M10x1.5		
M135	2	175	160	32	8	12 - M8	14	6-M10x1.5	35	156.9
M140	2							6-M10x1.5		
M145	2	190	175	32	8	12 - M8	16	6-M10x1.5	35	176.5
M150	2							6-M10x1.5		

※The difference with this design is that the balance adjustment screws tighten from the outer skirt at a radial angle. It is the optimal choice for spindles with restricted space. Balance adjustment screw holes can be fitted with screw-in plugs (option), eliminating high frequency noise and subsequent vibration.

※The data is not as good as it is available. Please contact CHENA for the remaining dimensions.

Copyright © CHENA INDUSTRIAL CO., LTD ALL RIGHTS RESERVED.