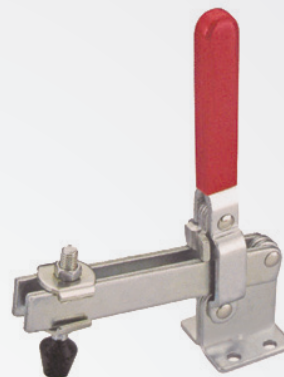
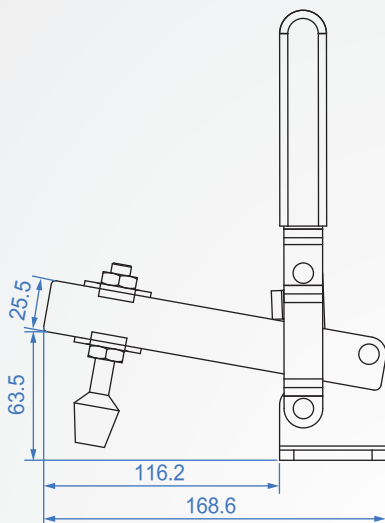
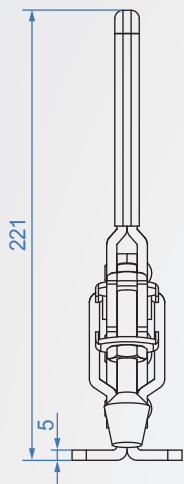
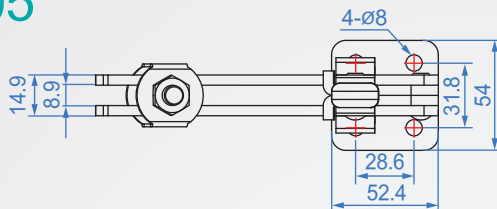


GH12305



GH12305

Material : SS400 Finish : Zinc plated

unit : mm

Code No.	Clamping pressure (kg)	weight (g)	Handle movement	Chuck movement	Front end fitting
GH12305	364	1092	65°	100°	NFC-38312