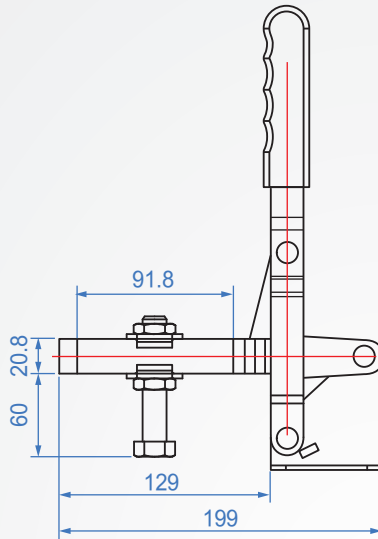
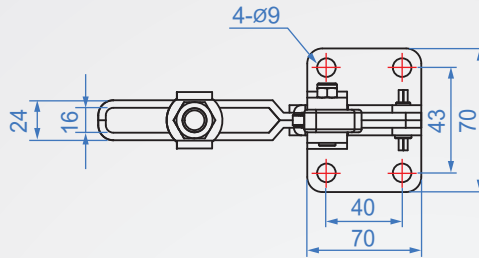
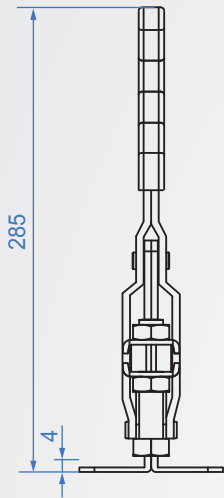


GH101-H



GH101-H

Material : SS400 Finish : Zinc plated

unit : mm

Code No.	Clamping pressure (kg)	weight (g)	Handle movement	Chuck movement	Front end fitting
GH101-H	450	1253	63°	101°	NSA-12300