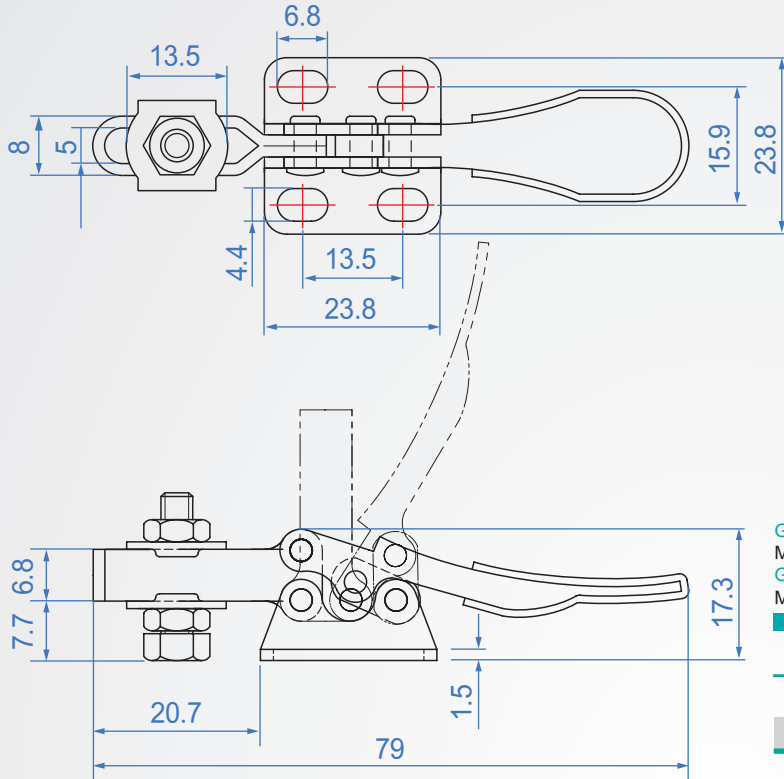


GH201



GH201

Material : SS400 Finish : Chrome plated

GH201-SS

Material : SUS304

unit : mm

Code No.	Clamping pressure (kg)	weight (g)	Handle movement	Chuck movement	Front end fitting
GH201	27	30	75°	90°	NSA-08034
GH201-SS	27	30	75°	90°	—