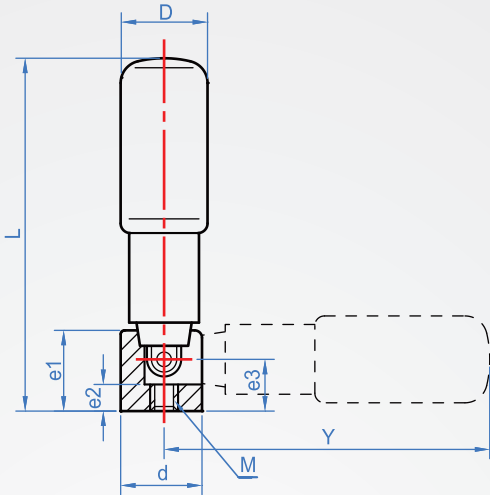


Folding handle

HA937 Two gradations



Handle	Axis	
	Material	Finish
Nylon (Black)	Steel	Black oxide
	SUS303	—

How to order

HA937 - M5 - 58 -

TYPE M L

Material chosen

Steel(Black oxide).....

SUS303.....

1		2							Unit : mm
M	L	D	d	e1	e2	e3	Y	Quality (g)	
Coarse thread									
M5	58	16	16	15	5	9.5	52.5	35	
	72	18					67	40	
M6	80	22	20	19.5	6	10.5	80	80	
	95	24					89	90	
	105	25					98.5	110	