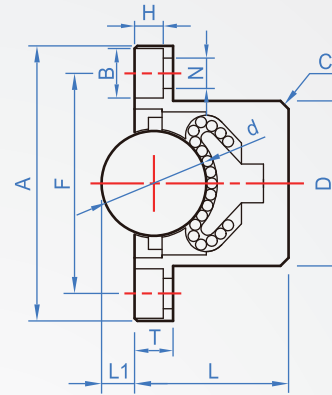
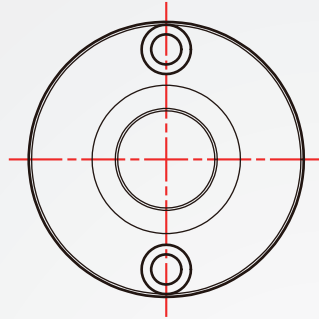


Embed type

BR854 Downward

Main part	Dust ring	Base	Main ball	Auxiliary ball
S45C Electroless nickel	Felt	SCM415 50HRC~	SUJ2 55HRC~	SUJ2 55HRC~

How to order

BR854 - **24**
 TYPE D



Unit : mm

D	L	A	F	N	B	H	L1	C	d	T	Load resistance (N)
24	24	40	32	4.5	7.5	4.2	5	1	15.875	6	900
30	28	50	40	5.5	9	5.2	6	1.5	19.05	7	1100
38	37	60	49	6.5	10.5	6.2	8	2	25.4	8	1200

kgf=N×0.101972

Che Na

886-2688-3177

info@chena.com.tw

 886-22688-3188
886-2688-3881~3

 No.21, Guangrong St. Shulin Dist.,
New Taipei City 238 Taiwan (R.O.C.)