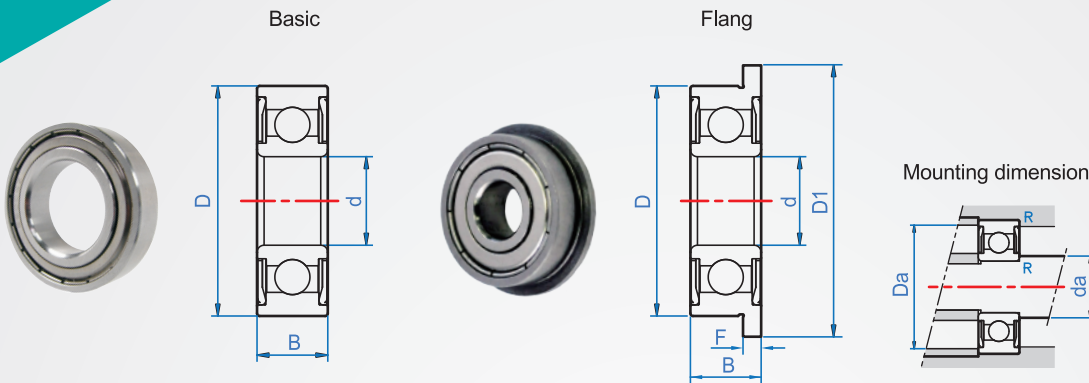


Small Ball Bearings

Material	Bearings precision
Steel	JIS 0
Stainless steel	



How to order

Code No. **SS - 682ZZ -**

Material chosen

Steel..... Blank

Stainless steel..... SS

Place of production

Japan..... JP

Taiwan..... TW

Designated brand.....

Code No.		Main dimension(mm)						Basic rated(N)		Speed limit	Mounting dimension(mm)			Quality reference
Basic	Flang	d	B	D	D1	F	r (min)	Dynamic load Cr	Static load Cor	(rpm) Grease	da (min.)	Da (max.)	R (max.)	(g)
681XZZ	F681XZZ	1.5	2	4	5.0	0.4	0.05	113	34	100000	1.9	3.6	0.05	0.1
682ZZ	F682ZZ	2	2.3	5	6.1	0.6	0.08	169	50	85000	2.7	4.2	0.08	0.2
692ZZ	F692ZZ		3	6	7.5	0.8	0.15	330	98	75000	3.2	5.4	0.15	0.35
602ZZ	F602ZZ		3.5	7	8.5	0.9	0.15	385	127	63000	3.2	6.2	0.15	0.55
682XZZ	F682XZZ	2.5	2.6	6	7.1	0.8	0.08	208	74	71000	3.1	5.4	0.08	0.3
692XZZ	F692XZZ		3.5	7	8.5	0.7	0.15	385	127	63000	3.7	6.2	0.15	0.55
602XZZ	F602XZZ		4	8	9.5	0.9	0.15	550	175	60000	3.7	7	0.15	0.8
673ZZ	F673ZZ	3	2.5	6	7.2	0.6	0.08	242	94	70000	3.6	5.4	0.08	0.3
683ZZ	F683ZZ		3	7	8.1	0.8	0.1	390	130	63000	3.9	6.4	0.1	0.45
693ZZ	F693ZZ		4	8	9.5	0.9	0.15	560	180	60000	4.2	7.3	0.15	0.8
603ZZ	F603ZZ	4	4	9	10.2	1.0	0.15	570	187	56000	4.2	7.9	0.15	1.4
623ZZ	F623ZZ		4	10	11.5	1.0	0.15	630	218	50000	4.2	8	0.15	1.6
674ZZ	F674ZZ		2.5	7	8.2	0.6	0.08	222	88	60000	4.6	6.3	0.08	0.28
684ZZ	F684ZZ	5	4	9	10.3	0.6	0.15	640	224	56000	5.0	8.1	0.15	1.0
694ZZ	F694ZZ		4	11	12.5	1.0	0.15	715	276	48000	5.2	9.9	0.15	1.75
604ZZ	F604ZZ		4	12	13.5	1.0	0.2	960	345	48000	5.6	9.9	0.2	2.3
624ZZ	F624ZZ	6	5	13	15.0	1.0	0.2	1300	485	40000	5.6	11.3	0.2	3.0
634ZZ	F634ZZ		5	16	18.0	1.0	0.3	1730	670	36000	6.0	13.8	0.3	5.2
675ZZ	F675ZZ		2.5	8	9.2	0.6	0.1	218	131	53000	5.8	7.4	0.1	0.34
685ZZ	F685ZZ	5	5	11	12.5	1.0	0.15	715	282	45000	6.2	9.8	0.15	1.96
695ZZ	F695ZZ		4	13	15.0	1.0	0.2	1080	430	43000	6.6	11.4	0.2	2.4
605ZZ	F605ZZ		5	14	16.0	1.0	0.2	1330	505	40000	6.6	12.4	0.2	3.5
625ZZ	F625ZZ	6	5	16	18.0	1.0	0.3	1760	680	36000	7	14	0.3	4.8
676ZZ	F676ZZ		3	10	11.2	0.6	0.1	496	218	45000	7.1	9.3	0.1	0.7
686ZZ	F686ZZ		5	13	15.0	1.1	0.15	1080	440	40000	7	11.8	0.15	2.69
696ZZ	F696ZZ	8	5	15	17.0	1.2	0.2	1350	530	40000	7.6	13.4	0.2	3.8
606ZZ	F606ZZ		6	17	19.0	1.2	0.3	2190	865	38000	8	15	0.3	6.0
626ZZ	F626ZZ		6	19	22.0	1.5	0.3	2340	885	32000	8	17	0.3	8.1
678ZZ	F678ZZ	8	3.5	12	13.2	0.8	0.1	543	274	40000	9.05	11.33	0.1	0.99
688ZZ	F688ZZ		5	16	18.0	1.1	0.2	1610	715	36000	9.6	14.4	0.2	4.02
698ZZ	F698ZZ		6	19	22.0	1.5	0.3	1990	865	36000	10	17	0.3	7.3
608ZZ	F608ZZ	8	7	22	25.0	1.5	0.3	3350	1400	34000	10	20	0.3	12
628ZZ	F628ZZ		8	24	25.0	1.5	0.3	4000	1590	28000	10	22	0.3	17
638ZZ	F638ZZ		9	28	25.0	1.5	0.3	4550	1970	28000	10	26	0.3	28

1N=0.102kgf

Copyright © CHENA INDUSTRIAL CO.,LTD ALL RIGHTS RESERVED.