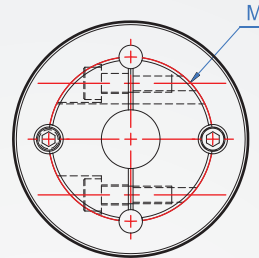
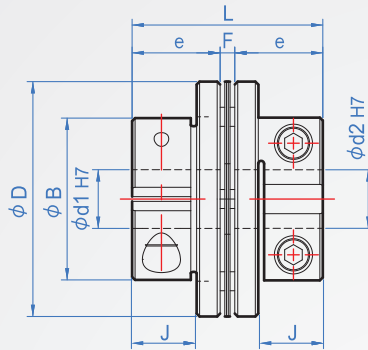
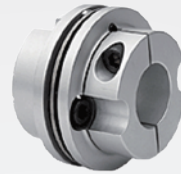


Disk clamp coupling

CH416 Short type



Main part	Disk · Pin	Hex socket head cap screws
A6061 (Clear anodizing)	SUS	SCM435 (Black oxide)

How to order

CH416 - 40 - 11x15
 TYPE D d1xd2

Unit : mm

D	d1 - d2		B	L	J	e	M	F	Quality	Torque (N · m)	Max. torque (N · m)	Moment of inertia (kg · m ²)	Allowable axial displacement (mm)	Allowable eccentric (mm)	Highest number of rotations (rpm/min)	Allowable declination (°)
	min.	max.														
40	8	~ 16	28	34.5	10.5	15	2-M4	4.5	63	6	12	9.2 × 10 ⁻⁶	±0.25	0.02	10000	1
45	10	~ 18	33				4-M4		88	9	18	23.2 × 10 ⁻⁶				
50	12	~ 20	40	46.5	15	20	4-M5	6.5	120	17	34	32.6 × 10 ⁻⁶	±0.3	0.02	10000	1
57	10	~ 22	42						47	14	7	175				
65	15	~ 25	50	55	18	24	4-M6	7	200	55	110	127.4 × 10 ⁻⁶	±0.4	0.02	10000	1