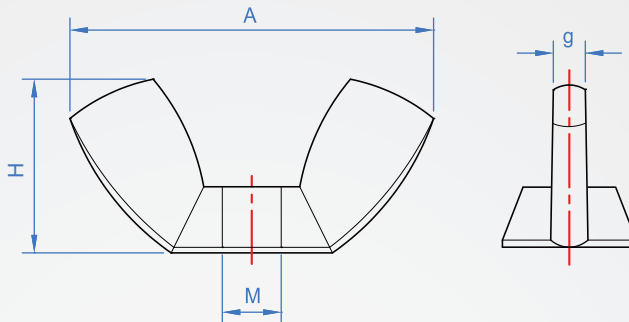


Wing nut

WA773

Material

SUS304

International norms DIN1587

How to order

WA773 - M3x0.5

 TYPE M x Pitch



Unit : mm

M x pitch	A max.	D	g	H max.
M3 x 0.5	18.5	7.8	2	8.8
M4 x 0.7	21	9.6	2.5	9.6
M5 x 0.8	22	10.5	2.6	10.5
M6 x 1.0	26.8	12.9	3	12.9
M8 x 1.25	30.3	14.8	3.3	14.8
M10 x 1.5	35.3	17.3	4	17.3

Che Na

886-2688-3177

info@chena.com.tw

 886-22688-3188
886-2688-3881~3

 No.21, Guangrong St. Shulin Dist.,
New Taipei City 238 Taiwan (R.O.C.)