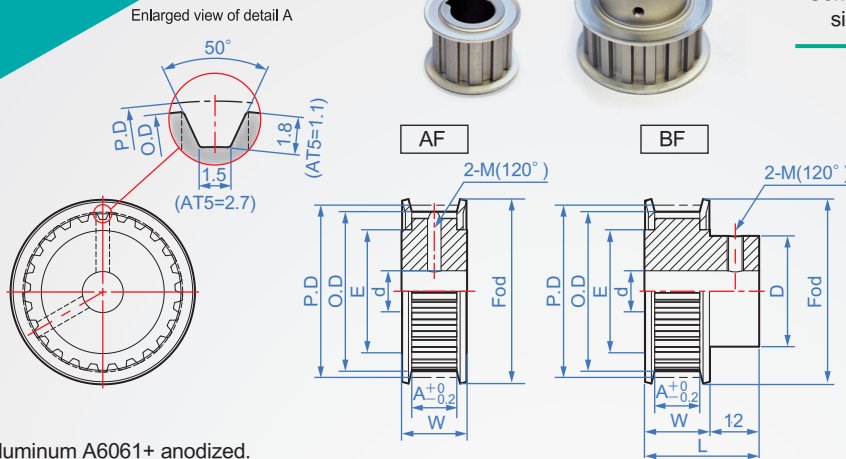


Pitch : 5.0mm

T5



| Belt width | 10 | 15 | 20 | 25 |
|-------------|----------------------|----------------------|----------------------|----------------------|
| Common size | A=11 W=16 L=28 | A=17 W=22 L=34 | A=22 W=27 L=39 | A=27 W=32 L=44 |

How to order

1 30 - 2 T5-10 - 3 BF - 4 H10 - 5

1 Number of teeth
 2 TYPE width
 3 Shape
 4 Hole shape

Choose surface treatment

- AS Clear anode
- AB Black anode
- AN Electroless nickel
- AK Hardened anode

BF shape can specify changes
 Example: original D path 33, change 32... D32

Material: Aluminum A6061+ anodized.
 Please contact us if you need iron material.

| Unit : mm | | | | | | | | | | |
|-----------------|------------|-------|------------|----------------------------|--------|--------|-----------------|-----|------|------|
| Number of teeth | TYPE width | Shape | Hole shape | Aperture d Processing min. | P.D | O.D | Number of teeth | D | E | Fod |
| 12 | | | | | 19.10 | 18.25 | 12 | - | 14.5 | 22.6 |
| 13 | | | | | 20.69 | 19.85 | 13 | | | |
| 14 | | | | | 22.28 | 21.45 | 14 | 14 | 16 | 26 |
| 15 | | | | | 23.87 | 23.05 | 15 | 15 | 18 | 28 |
| 16 | | | | | 25.46 | 24.60 | 16 | 17 | 20 | |
| 17 | | | | | 27.06 | 26.20 | 17 | 16 | 22.5 | 32 |
| 18 | | | | | 28.65 | 27.80 | 18 | | | |
| 19 | | | | | 30.24 | 29.40 | 19 | 19 | 24 | 35 |
| 20 | | | | | 31.83 | 31.00 | 20 | | | |
| 21 | | | | | 33.42 | 32.70 | 21 | 22 | 26 | 36 |
| 22 | | | | | 35.01 | 34.25 | 22 | 24 | 28 | 40 |
| 23 | | | | | 36.61 | 35.85 | 23 | | | |
| 24 | | | | | 38.20 | 37.40 | 24 | | 30 | 42 |
| 25 | | | | | 39.79 | 39.00 | 25 | 27 | | 45 |
| 26 | | | | | 41.38 | 40.60 | 26 | | | |
| 27 | | | | | 42.97 | 42.20 | 27 | 31 | 34 | 47 |
| 28 | T5-10 | | | | 44.56 | 43.75 | 28 | 32 | 37 | 49 |
| 29 | | | | | 46.15 | 45.35 | 29 | | | |
| 30 | | AF | | | 47.75 | 46.95 | 30 | 33 | 40 | 52 |
| 31 | | | | | 49.34 | 48.55 | 31 | | | |
| 32 | T5-15 | | | | 50.93 | 50.10 | 32 | 37 | 44 | 55 |
| 33 | | | | | 52.52 | 51.70 | 33 | | | 58 |
| 34 | | | | | 54.11 | 53.25 | 34 | | 44 | 62 |
| 35 | | | | | 55.70 | 54.85 | 35 | | | |
| 36 | T5-20 | | | | 57.30 | 56.45 | 36 | 40 | 45 | 65 |
| 37 | | | | | 58.89 | 58.05 | 37 | | | |
| 38 | | | | | 60.48 | 59.65 | 38 | | | |
| 39 | | | | | 62.07 | 61.25 | 39 | 47 | 52.5 | 67.5 |
| 40 | T5-25 | | | | 63.66 | 62.85 | 40 | | | |
| 41 | | | | | 65.25 | 64.40 | 41 | | | |
| 42 | | | | | 66.85 | 66.00 | 42 | 48 | 58 | 71 |
| 43 | | | | | 68.44 | 67.60 | 43 | | | |
| 44 | | | | | 70.03 | 69.20 | 44 | 50 | 59 | 73 |
| 45 | | | | | 71.62 | 70.80 | 45 | | | |
| 46 | | | | | 73.21 | 72.40 | 46 | 55 | 60 | 80 |
| 47 | | | | | 74.80 | 73.95 | 47 | | | |
| 48 | | | | | 76.39 | 75.55 | 48 | 60 | | 83 |
| 49 | | | | | 77.99 | 77.15 | 49 | | 65 | |
| 50 | | | | | 79.58 | 78.15 | 50 | 63 | | 85 |
| 60 | | | | | 95.49 | 94.65 | 60 | 75 | 80 | 100 |
| 70 | | | | | 111.41 | 110.60 | 70 | 80 | | |
| 72 | | | | | 114.59 | 113.75 | 72 | | 98 | 118 |
| 80 | | | | | 127.32 | 126.50 | 80 | 90 | 110 | 135 |
| 90 | | | | | 143.24 | 142.45 | 90 | | 120 | 146 |
| 100 | | | | | 159.15 | 158.35 | 100 | 100 | 130 | 165 |

H Round hole

Round hole + tapping

P (120°) PV (90°)

| Axis aperture | Tapping |
|---------------|---------|
| 4-5 | M3 |
| 6-12 | M4 |
| 13-17 | M5 |
| 18-30 | M6 |
| 31-44 | M8 |

Keyway + Tapping

N (120°) NV (90°)

| Shaft bore | kw(Js9) | kh | Tapping |
|------------|---------|-----|---------|
| 8-10 | 3 | 1.4 | |
| NK10 | 4 | 1.8 | M4 |
| 11-12 | 4 | | |
| 13-17 | 5 | 2.3 | M5 |
| 18-22 | 6 | 2.8 | |
| 23-30 | 8 | 3.3 | M6 |

Copyright © CHENA INDUSTRIAL CO., LTD ALL RIGHTS RESERVED.