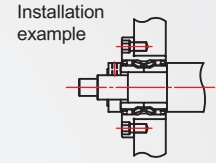
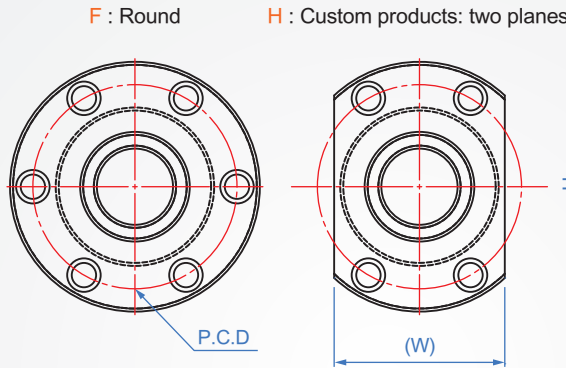


Flange double bearing type

## BH556

Appearance	Material	Inner ring
F Round	GCr Bearing steel	60° Angle Bearing x 2
H Custom products: two planes		



How to order

BH556 - 10 -

TYPE d

Select type

Round.....  F

Two plane shaee..  A

※It is recommended to use the low head screws of the WA730 series to lock.

d	A	B	C	D	H	P.C.D (W)	φ X	Y	Z	Basic load rating (KN)		Limit speed rpm	Two inner ring preload weight N • m	unit : mm	
										Cr Dynamic load	Cor Static load				
15	32	30	25.2	35	57	46	37	5.5	9	5	19.2	12.4	5000	60	350
17	34	32	25.8	40	64	52	43				20.2	13.5			380
20	38	36	31	47	73	60	50	7	11	5.5	22.8	15.8			4500
25			36	52	82	67	57				25.5	18.8	3300	500	
30	42	40	42.8	62	92	77	66	9	14	6	33.2	27.5	2800	80	900
35	44	42	49.7	72	102	87	76				43.7	37.5			2500

◎The product is compact in structure, small in size, capable of bidirectional force, low vibration, low noise, high rotation precision, low friction torque, excellent sealing performance, high speed running performance, wide adaptability, easy installation, and long life. characteristic.



Copyright © CHENA INDUSTRIAL CO., LTD ALL Rights Reserved.