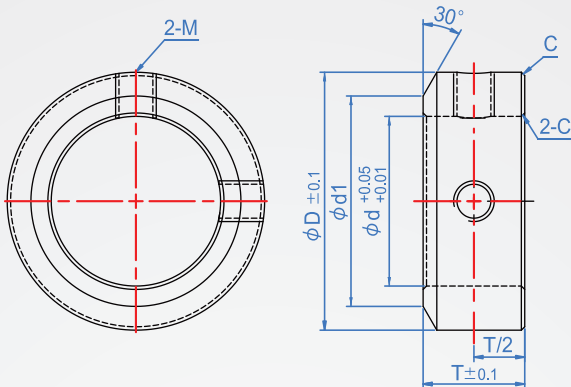


Set screw
SC480



Material	Finish	Screw accessory
S45C	Black oxide	Alloy steel 2pcs
SUS304	—	SUS 2pcs

How to order

SC480 - 6 - 12 - 6 -

TYPE d D T

Select material

S45C.....

SUS304..... **SUS**

Unit:mm										
d	D	T			d1	C	Set screw			
3	7	6	8		4.5	0.2	M3x3			
4	8	6	8		5.5		M4x3			
5	11	6	8	10	10		M5x4			
6	12	6	8	10	11		M6x5			
8	14	6	8	10	12		M8x8			
10	16	6	8	10	13		M10x10			
12	20		8	10	12	0.5	M12x12			
13	22		8	10	12		M14x14			
15	24		8	10	12		M16x16			
16	26			10	12		15	M18x18		
18	32			10	12		15	M20x20		
20	32			10	12		15	M25x25		
25	38			12	15	18	M30x30			

Copyright © CHENA INDUSTRIAL CO.,LTD ALL RIGHTS RESERVED.