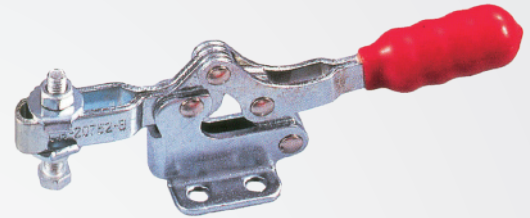
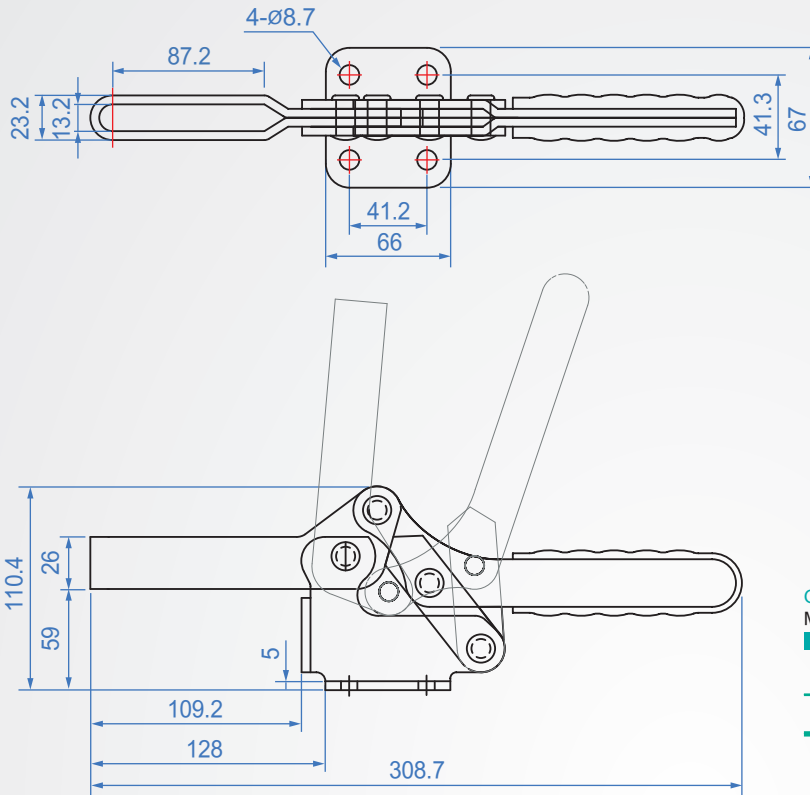


## GH24502-B



### GH24502B

Material : SS400 Finish : Zinc plated

Unit : mm

Code No.	Clamping force(kg)	weight (g)	Handle moving	Chuck moving	Front-end accessories
GH24502-B	450	1445	80°	94°	NSA-121017