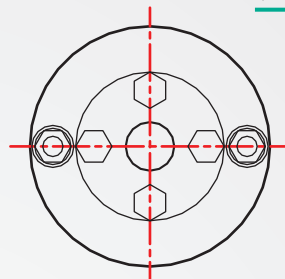
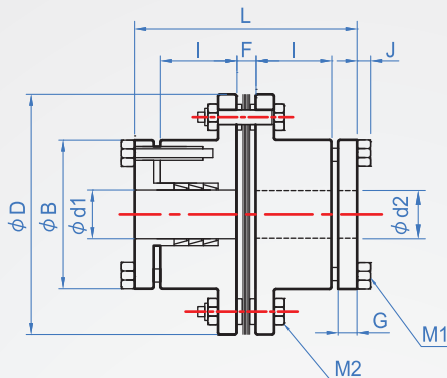


High rigid metal disk coupling

CH419 Slit clamp



Material	Screw assembly	Shrapnel
S45C (Black oxide)	Steel	SUS

How to order

CH419 - 68 - 12x16
 | TYPE D d1xd2

Unit : mm

D	d1-d2		B	L	I	F	G	J	M1	M2	Torque (N · m)	Max. torque (N · m)	Highest number of rotations (rpm/min)	Moment of inertia (kg · m ²)	Allowable axial displacement (mm)	Allowable declination (°)
	min.	max.														
68	10	~ 18	40	76	25	6	7	5	M6x4	M6	39	78	20000	3	±0.8	1
82	14	~ 30	54	76.2	25	6.2					78	156	17000	8.7	±1.0	
94	14	~ 35	58	89.6	30	9.6					176	352	15000	16	±1.2	
104	20	~ 42	68	98	33	10	8	10	M6x6	M8	245	490	13000	26	±1.4	
126	25	~ 50	78	117	40	11	440				880	11000	65	±1.6		
144	30	~ 55	88	128	45	12	15	7	M8x4	M10	780	1560	9000	99	±1.8	
168	35	~ 65	104	200	75	14					1170	2340	5100	238	±1.0	
180	35	~ 75	120	212	80	16					1960	3920	4800	365		
215	40	~ 85	128	242	90	20	18	8	M10x6	M16	4900	9800	4300	830		