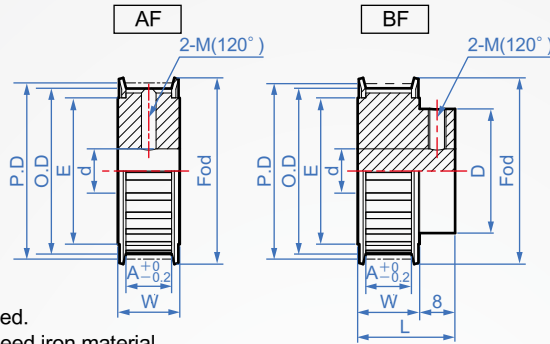
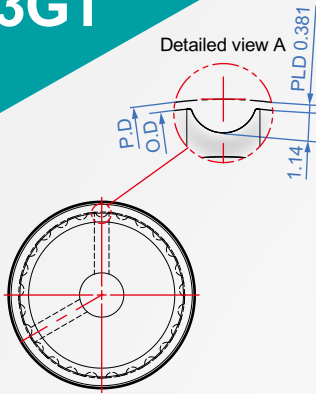


Pitch : 3.0mm

3GT



Material : Aluminum A6061+ anodized.
Please contact us if you need iron material.

Belt width	4	6	9	12	15	20
Common size	A=5.3 W=9 L=17	A=7.3 W=11 L=19	A=10.3 W=14 L=22	A=13.3 W=17 L=25	A=16.3 W=20 L=28	A=21.3 W=25 L=33

How to order

1 33 - 2 3GT-9 - 3 BF - 4 H8 - 5

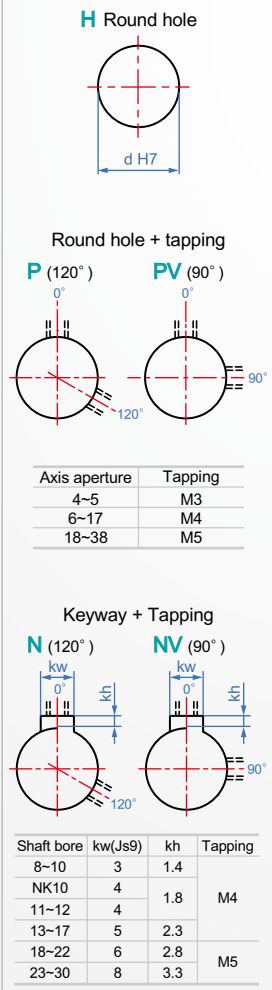
Number of teeth TYPE width Shape Hole shape

Choose surface treatment

- ASClear anode
- ABBlack anode
- ANElectroless nickel
- AKHardened anode

BF shape can specify changes
Example: original D path 22, change 20... D20

Unit : mm										
Number of teeth	TYPE width	Shape	Hole shape	Aperture d Processing min.	P.D	O.D	Number of teeth	D Teeth ≥ 32 Applicable	E	Fod
10					9.55	8.79	10			
11					10.5	9.74	11			
12					11.46	10.7	12			
13					12.41	11.65	13		6.5	13.5
14					13.37	12.61	14			
15					14.32	13.56	15			
16					15.28	14.52	16		10.4	18
17					16.23	15.47	17			
18					17.19	16.43	18	10	13.5	20
19					18.14	17.38	19			
20					19.1	18.34	20		14.5	22.6
21					20.05	19.29	21	11		
22					21.01	20.25	22	12	15	25
23					21.96	21.2	23	13		
24					22.92	22.16	24	14		26
25	3GT-4				23.87	23.11	25		18	27
26					24.83	24.07	26	15		28
27					25.78	25.02	27	16	20	29
28	3GT-6				26.74	25.98	28	17	21	
29					27.69	26.93	29	18	22	30
30					28.65	27.89	30	19	22.5	32
31	3GT-9				29.6	28.84	31	20	23.5	33.5
32					30.56	29.8	32		24	35
33					31.51	30.75	33	22	25	35
34					32.47	31.71	34		26	36
35	3GT-12				33.42	32.66	35	24	28	37
36					34.38	33.62	36		29	38
37					35.33	34.57	37	26	30	39
38	3GT-15				36.29	35.52	38		31.6	40
39					37.24	36.48	39	28		
40					38.2	37.44	40		33.6	42
41	3GT-20				39.15	38.39	41	30	32.5	43.5
42					40.11	39.35	42		33	45
43					41.06	40.3	43	30	33	45
44					42.02	41.25	44		34	47
45					42.97	42.21	45			
46					43.93	43.16	46			
47					44.88	44.12	47	32	37	49
48					45.84	45.07	48			
49					46.79	46.03	49			
50					47.75	46.98	50	34	39	51
60					57.3	56.53	60	36	52	61
70					66.85	66.08	70		58	71
72					68.75	67.99	72	38	59	73
80					76.39	75.63	80		60	80
90					85.94	85.18	90		70	90
100					95.49	94.73	100	45	80	100



Copyright © CHENA INDUSTRIAL CO., LTD ALL Rights Reserved.