

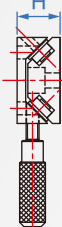
Hill shape LB202 Aluminum



Single product	Material	Surface treatment	Handle
A Standard slider	Aluminum A6063	Hardened anodized	-
	Bearing (steel)	-	
B Lock the slider	Aluminum A6063	Hardened anodized	Screw part: SUS304
	Bearing (steel)	-	Front part: Engineering plastic
C Track	A6N01	Hardened anodized	-

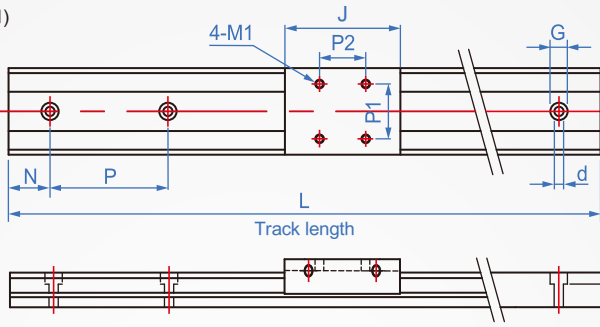
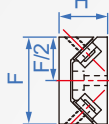
B Locking combination

(Standard slider x1 + track x1)



A Standard combination

(Lock slider x1 + track x1)



How to order

LB202 - **A** - 13 - 70
TYPE H L

Shopping combination
standard sliderX1..... **A**
standard sliderX2..... **2A**
locking sliderX1..... **B**

※ A、B、C Can be purchased separately.

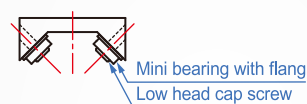
Linear guideway advantage

- 1.It can make simple fixture and other low-cost linear motion devices.
- 2.Slide and guide rail can increase amount.
- 3.Slide and guide rail both are anodized,very light and handy.
- 4.Use aluminum material, can reduce component weight.

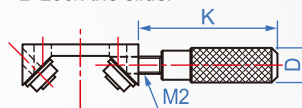
Additional,slide is 4-point Screw bolt fastening.

Single

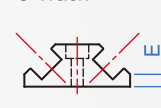
A Slider



B Lock the slider



C Track



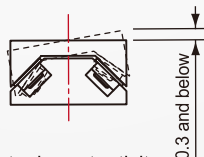
slider No.	Combined height H	Slide parts size								Guide rail parts size					Ball bearings with flange	Load rating N (1pcs Slide)
		F	J	P1	P2	M1	M2	K	D	H1	E	dxGxh	N	P		
A、B (sliderx1)	10	20	30	13	13	3	3	24	6	7.5	1.8	3.5x6x4	7.5	40	F682ZZ(4 pc.)	49
	13	23		15	11			23.5		9	2.7		10	50	MF63ZZ(4 pc.)	59
2A (sliderx2)	16	30	40	19	16	5	4	32	10	12	3.5	3.5x6x7	15	40	F693ZZ(4 pc.)	79
	16A			20	14			32		16	4.5		6x9.5x10	20	60	F695ZZ(4 pc.)
	24	40	60	28	22	29	16	4.5	6x9.5x10	20	60	F695ZZ(4 pc.)	99			

kgf=Nx0.102

3

L	Track length				Number of mounting holes
	H10	H13	H16	H24	
55	70	70	100	2	
95	120	110	160	3	
135	170	150	220	4	
175	220	190	280	5	
215	270	230	340	6	
255	320	270	400	7	
295	370	310	460	8	
335	420	350	520	9	
375	470	390	580	10	
415	520	430	640	11	
455	570	470	700	12	
495	620	510	760	13	
535	670	550	-	14	
575	-	590	-	15	
615	-	630	-	16	
-	-	670	-	17	
-	-	710	-	18	

Accuracy Standard

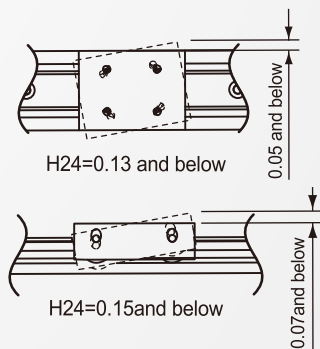


Fastening retentivity

(Reference value : Allowable torque 0.1N · m)

H	Retentivity(kg)
10	0.5
13	
16	1.0
16A	
24	1.2

Mounting force exceed 0.1N · m, it may cause damage to the front end of the screw.



Example

