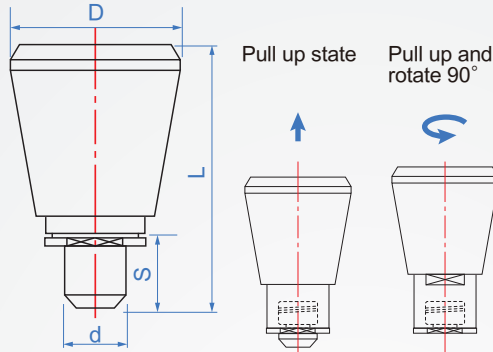
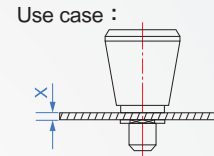
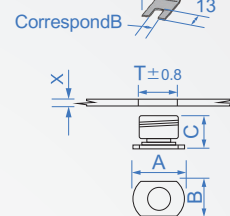
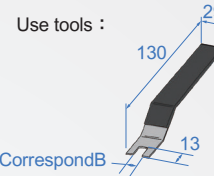


For thin wall

AR646 Nut fixing



| ontology | | pin | | nut | | spring |
|----------------|-------------------|----------|-------------------|----------|-------------------|-----------------|
| material | surface treatment | material | surface treatment | material | surface treatment | |
| aluminum alloy | anode | steel | galvanized | steel | galvanized | Stainless steel |



How to order

WA646 - **1** **2** **3**
 TYPE d
 Select function
 Reply type..... **A**
 Snap type..... **B**
 Choose the color
 Silver..... **SV**
 Red..... **RD**
 Blue..... **DL**
 Black..... **BK**



| Type | d | Corresponding hole size | D | L | S | T | Mounting plate thickness X | | A | B | C | |
|------------------------|-----|-------------------------|----------------|------|----|-----|----------------------------|------|------|------|-----|-----|
| | | | | | | | least | max | | | | |
| A Reply type | 4.7 | 4.78 | +0.06 -0.03 | 13.5 | 20 | 6.5 | 7.14 | 0.64 | 1.52 | 9 | 7 | 5.5 |
| B Snap type | 6.2 | 6.35 | | 17.5 | 26 | 8 | 9.12 | 0.76 | 3.18 | 11.2 | 9.5 | 7 |