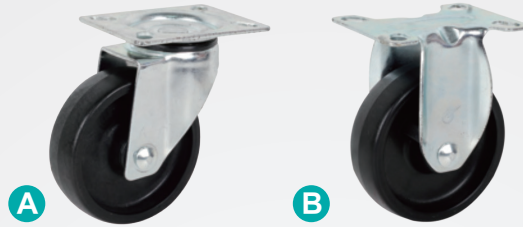


High temperature wheel

## FH891

Antiacid /  
Alkali



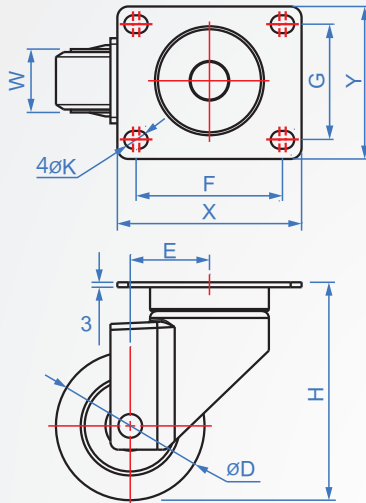
Temp	ontology	Wheel frame	Wheel
-30°C +180°C	SUS	High temperature resistance	special resin

! Note: When the temperature is higher, the weight resistance performance will decrease.

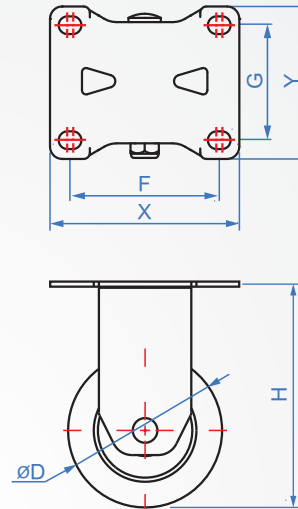
### How to order

1   2  
 FH891 - A - 50  
TYPE   Kind   D

**A** Activity wheel



**B** Fixed wheel



Allowable load (kgf)	Type	Wheel diameter		W	H	E	Chassis		Mounting holes			unit:mm
		D	Inch				X	Y	F	G	K	
80	A、C	75	3"	32	105	32	100	80	74x45 or (80x60)		8.5	
125		100	4"		130	34						
150		125	5"		158	36						
200		150	6"	192	52	135	110	105	76-83	10.5		
250		200	8"	240	56							

1kgf=9.8N