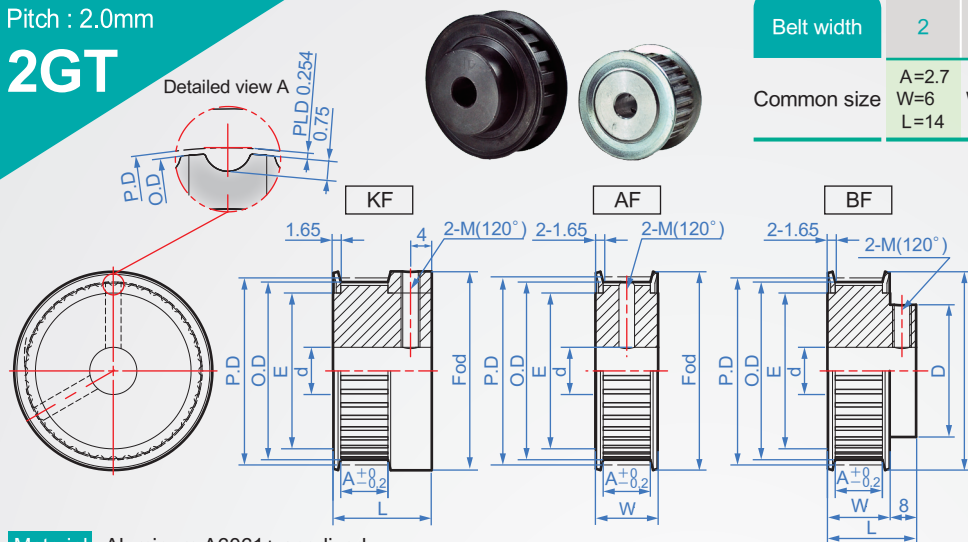


Pitch : 2.0mm

2GT



Belt width	2	3	4	6	9	12	15
Common size	A=2.7 W=6 L=14	A=4 W=7.3 L=15.3	A=5 W=8.3 L=16.3	A=7 W=10.3 L=18.3	A=10 W=13.3 L=21.3	A=13.2 W=16.5 L=24.5	A=16.2 W=19.5 L=27.5

How to order

1 33 - 2 2GT-6 - 3 BF - 4 H5 - D12

1 Number of teeth
 2 TYPE width
 3 Shape
 4 Hole shape

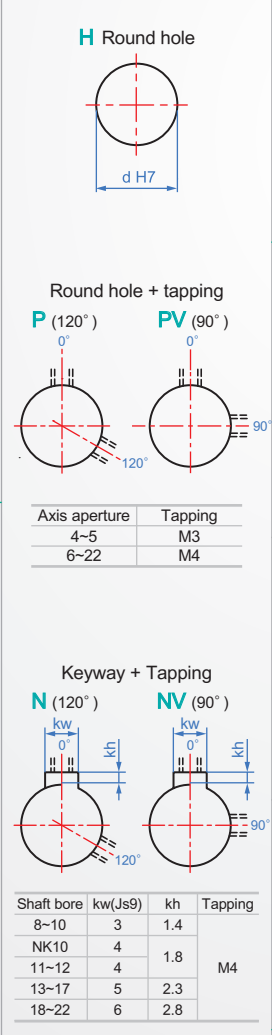
Choose surface treatment

- AS Clear anode
- AB Black anode
- AN Electroless nickel
- AK Hardened anode

BF shape can specify changes
 Example: original D path 13, change 12... D12

Material : Aluminum A6061+ anodized.
 Please contact us if you need iron material.

Unit : mm																		
Number of teeth	TYPE width	Shape	Hole shape	Aperture d Processing min.	P.D	O.D	Number of teeth	D Teeth ≥ 32 Applicable	E	Fod								
14	2GT-2	KF	H Round hole	3~	8.91	8.4	14	-	6.5	13.5								
15					9.55	9.04	15											
16					10.19	9.68	16											
17					10.82	10.31	17											
18					11.46	10.95	18											
19					12.1	11.59	19											
20					12.73	12.22	20											
21					13.37	12.86	21											
22					14.01	13.5	22											
23					14.64	14.13	23											
24	2GT-3	AF	Round hole + tapping	4~	15.28	14.77	24	-	13	19								
25					15.92	15.41	25											
26					16.55	16.04	26											
27					17.19	16.68	27											
28					17.83	17.32	28											
29					18.46	17.95	29											
30					19.1	18.59	30											
31					19.74	19.23	31											
32					20.37	19.86	32					13	15	25				
33					21.01	20.5	33											
34	21.65	21.14	34															
35	22.28	21.77	35	14	18	27												
36	22.92	22.41	36															
37	23.55	23.05	37															
38	24.19	23.68	38															
39	24.83	24.32	39				16	20	29									
40	25.46	24.96	40															
41	26.1	25.59	41															
42	26.74	26.23	42							17	22	30						
43	27.37	26.87	43															
44	28.01	27.5	44										18	22.5	32			
45	28.65	28.14	45															
46	29.28	28.78	46	19	23.5	33.5												
47	29.92	29.41	47															
48	30.56	30.05	48													20	25	35
49	31.19	30.69	49															
50	31.83	31.32	50				22	26	36									



Axis aperture	Tapping
4-5	M3
6-22	M4

Shaft bore	kw(Js9)	kh	Tapping
8-10	3	1.4	M4
NK10	4	1.8	
11-12	4	1.8	
13-17	5	2.3	
18-22	6	2.8	

Copyright © CHENA INDUSTRIAL CO., LTD ALL RIGHTS RESERVED.