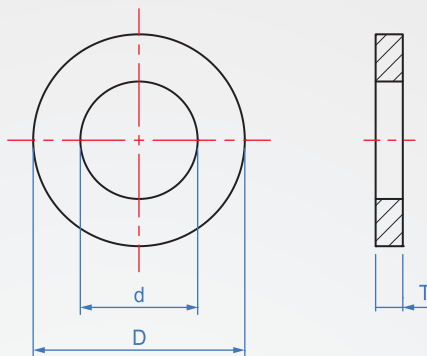


Washer

WS780

ISO7089



Material

SUS304

SUS316

How to order

WS780 - M3 - 7 - 0.5 -

TYPE M OD T

Material chosen
 SUS304.....
 SUS316..... S316

Applicable screw	d		Outer diameter	D		Thickness	T	
	max.	min.		max.	min.		max.	min.
M1.6	1.84	1.7	4	4	3.7	0.3	0.35	0.25
M2	2.34	2.2	5	5	4.7	0.3		
M2.5	2.84	2.7	6	6	5.7	0.5	0.55	0.45
M3	3.38	3.2	7	7	6.64	0.5		
M4	4.48	4.3	9	9	8.64	0.8	0.9	0.7
M5	5.48	5.3	10	10	9.64	1		
M6	6.62	6.4	12	12	11.57	1.6	1.8	1.4
M8	8.62	8.4	16	16	15.57	1.6		
M10	10.77	10.5	20	20	19.48	2	2.2	1.8
M12	13.27	13	24	24	23.48	2.5		
M16	17.27	17	30	30	29.48	3	3.3	2.7
M20	21.33	21	37	37	36.38	3		
M24	25.33	25	44	44	43.38	4	4.3	3.7
M30	31.39	31	56	56	55.26	4		

unit : mm