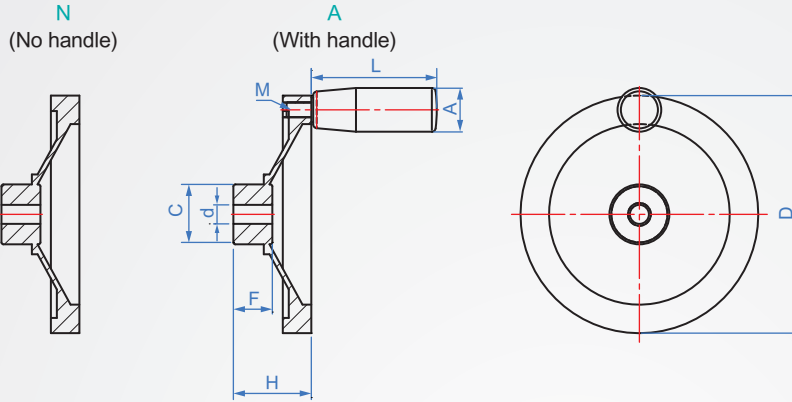


Aluminum alloy

OB964

Disc shape



No.		Rotary handle : A	
Material	Finish	Material	Color
Aluminum alloy	Black	Bakelite	Black
	Silver		

How to order

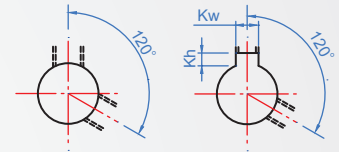


Select surface treatment

Black.....	BK
Silver.....	SV

P Round hole + tapping 120°

N Keyway + tapping 120°



■ Shaft hole P, N size table (New JIS B 1301)

No.	D	d	Hole shape	Aperture	C	F	H	Rotary handle			weight kg	
								A	L	M		
N (No handle) 、 A (With handle)	80	5.9	P	8~10	32	22	30	18	40	M6	0.16	
	100	7.9		8~12	38	23	34	22	50		0.35	
	125	10	P	12~14	40	24	41	23	65	M8	0.54	
	140	10			42	29	45				0.67	
	160	12		N	13~16	42	30	47	26	80	M10	0.86
	200	12			13~20	49	38	55				1.01
250	12	13~26	51	48	74	28	90	1.95				

unit : mm			
Shaft aperture	Kw	Kh	Tapping
8~10	3	1.4	M4
11~12	4	1.8	
13~17	5	2.3	M5
18~22	6	2.8	M6
23~30	8	3.3	