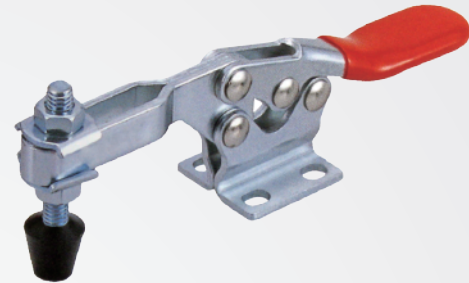
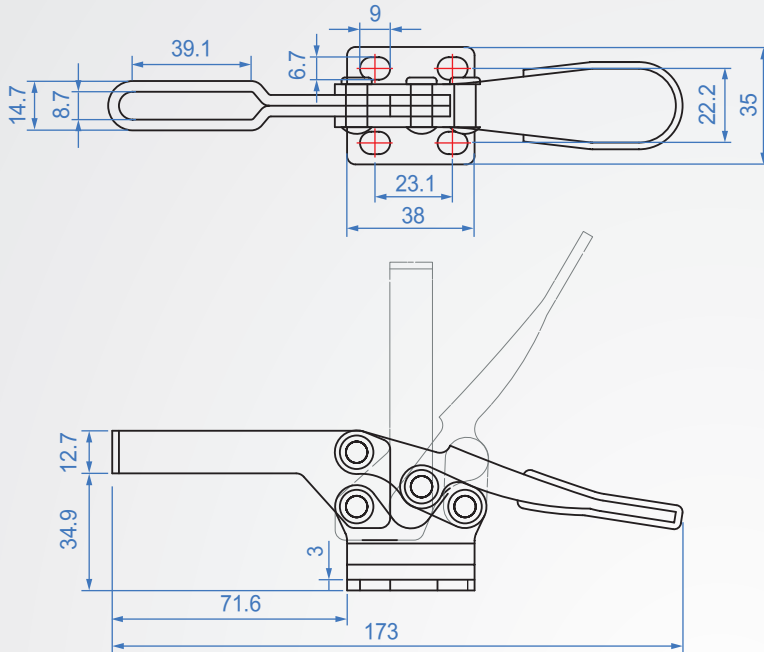


## GH225-D



### GH225-D

Material : SS400 Finish : Zinc plated

### GH225-DSS

Material : SUS304

Unit : mm

Code No.	Clamping force(kg)	weight (g)	Hadle moving	Chuck moving	Front-end accessories
GH225-D	227	260	65°	90°	FC-56212
GH225-DSS	227	260	65°	90°	-

1N=0.102kgf