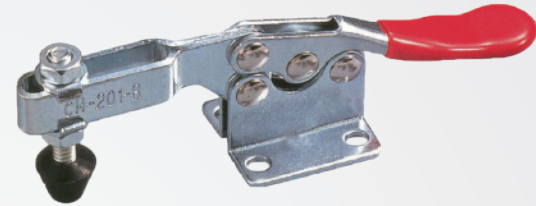
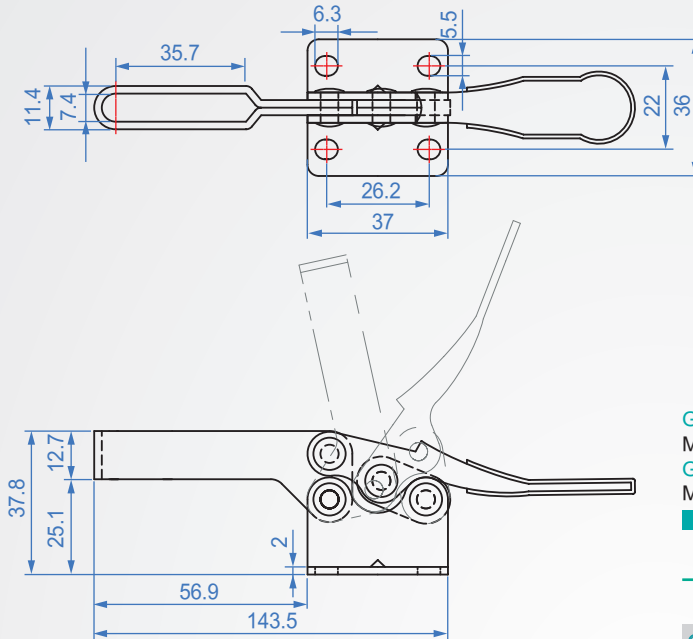


## GH201-B



### GH201-B

Material : SS400 Finish : Zinc plated

### GH201-BSS

Material : SUS304

Unit : mm

Code No.	Clamping force(kg)	weight (g)	Hadle moving	Chuck moving	Front-end accessories
<b>GH201-B</b>	90	130	73°	85°	FC-14134
<b>GH201-BSS</b>	90	130	73°	85°	-