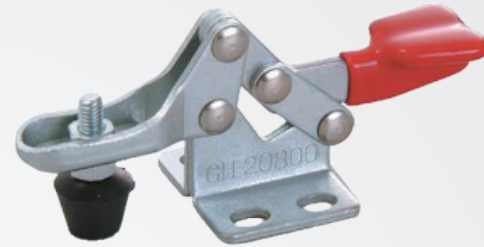
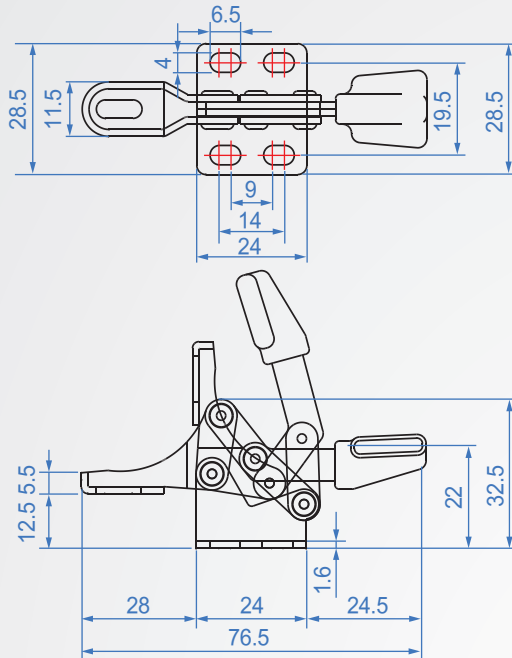


GH20800



GH20800

Material : SS400 Finish : Chrome plated

GH20800-SS

Material : SUS304

unit : mm

Code No.	Clamping pressure (kg)	weight (g)	Handle movement	Chuck movement	Front end fitting
GH20800	30	40	88°	80°	FC-042507(Rubber)
GH20800-SS	30	40	88°	80°	-