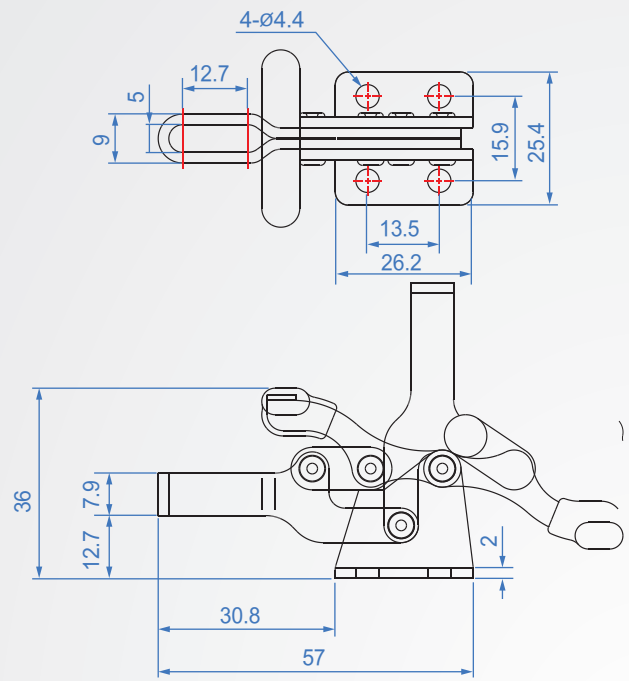




GH13005



GH13005

Material : SS400 Finish : Chrome plated

GH13005-SS

Material : SUS304

unit : mm

Code No.	Clamping force(kg)	weight(g)	Hadle moving	Chuck moving	Front-end accessories
GH13005	68	60	170°	90°	FC-10138(Rubber)
GH13005-SS	68	60	170°	90°	—