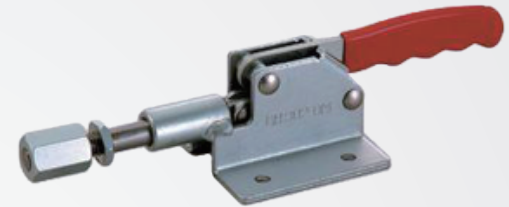
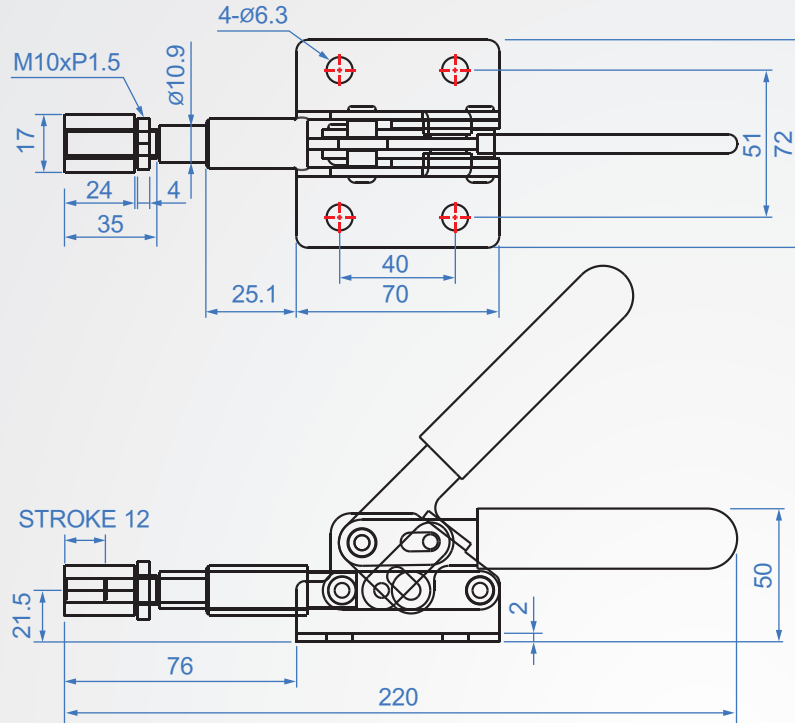


## GH302-DM



### GH302-DM

Material : SS400 Finish : Chrome plated

Unit : mm

| Code No. | Clamping force(kg) | weight (g) | Hadle moving | Chuck moving | Front-end accessories |
|----------|--------------------|------------|--------------|--------------|-----------------------|
| GH302-DM | 160                | 458        | 45°          | 12           | -                     |