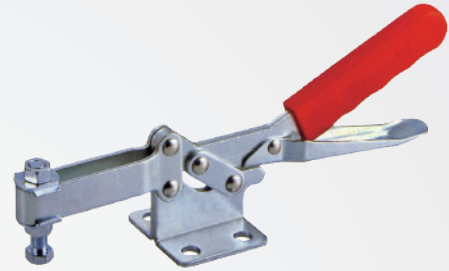
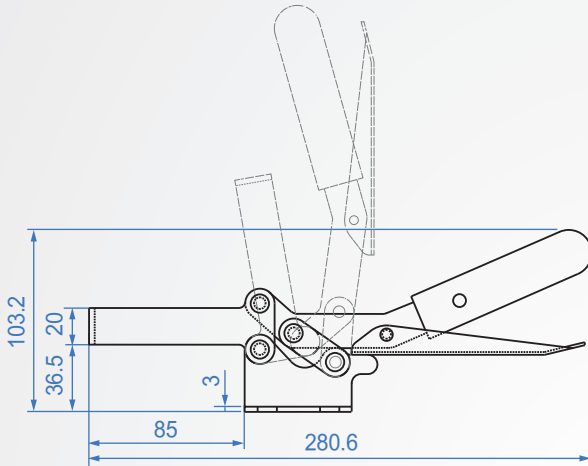
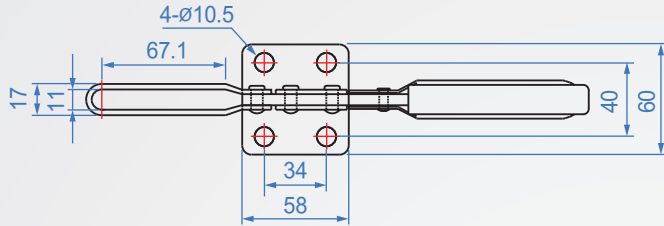


GH21385



GH21385

Material : SS400 Finish : Zinc plated

Unit : mm

Code No.	Clamping force(kg)	weight (g)	Hadle moving	Chuck moving	Front-end accessories
GH21385	300	545	90°	86°	NSA-38200

1N=0.102kgf