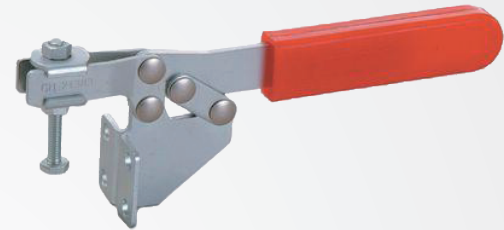
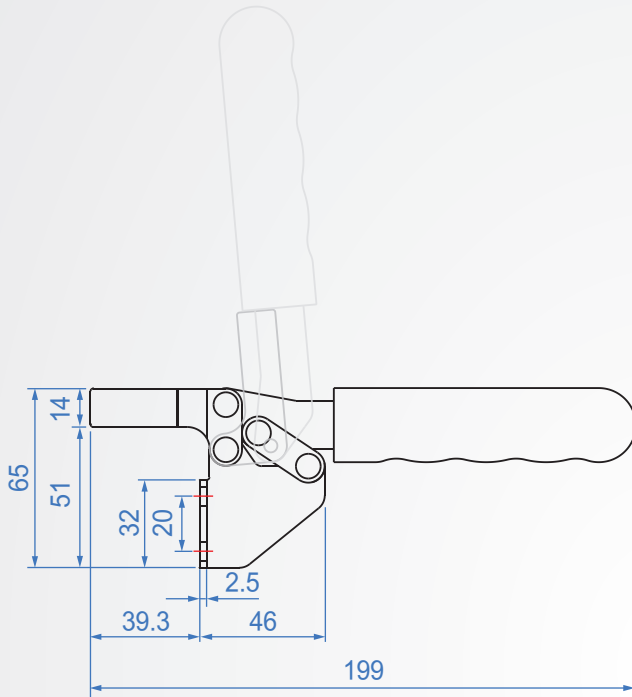
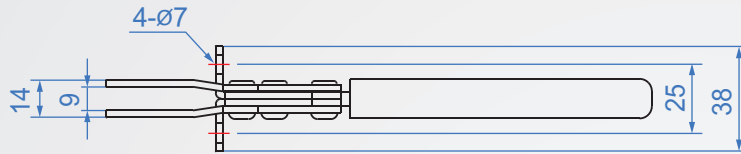


GH21383



GH21383

Material : SS400 Finish : Chromium plated

Unit : mm

Code No.	Clamping force(kg)	weight (g)	Hadle moving	Chuck moving	Front-end accessories
GH21383	250	260	85°	77°	NSA-065010

1N=0.102kgf