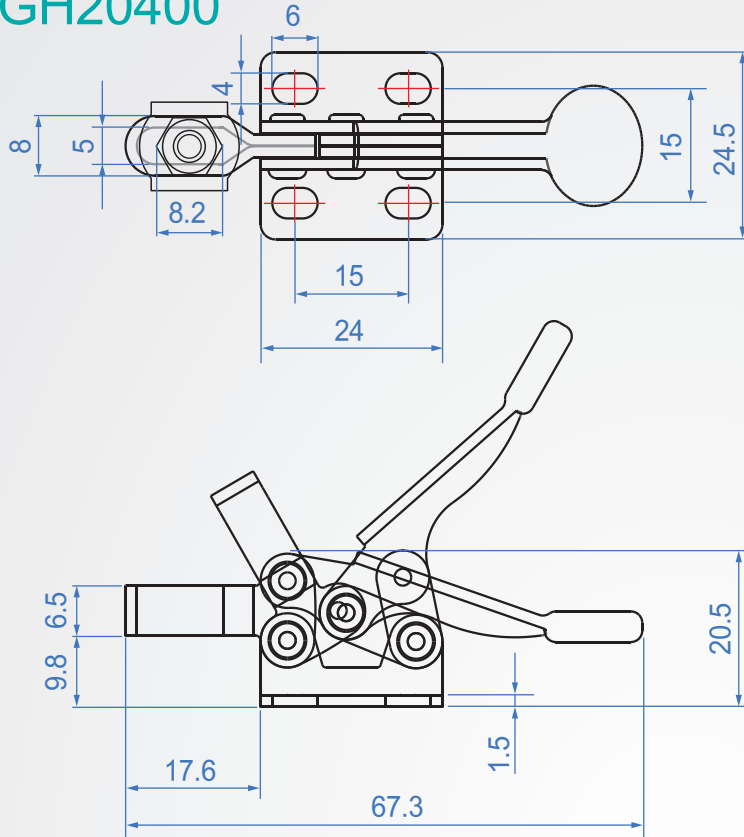


## GH20400



### GH20400

Material : SS400 Finish : Chrome plated

unit : mm

Code No.	Clamping pressure (kg)	weight (g)	Handle movement	Chuck movement	Front end fitting
GH20400	20	36	82°	75°	NSA-042507